

URNIETA®

## VINTAGE FRONT BUMPER

### 复古前杠 安装说明书

适用范围：新款丰田LC71、LC76、LC78

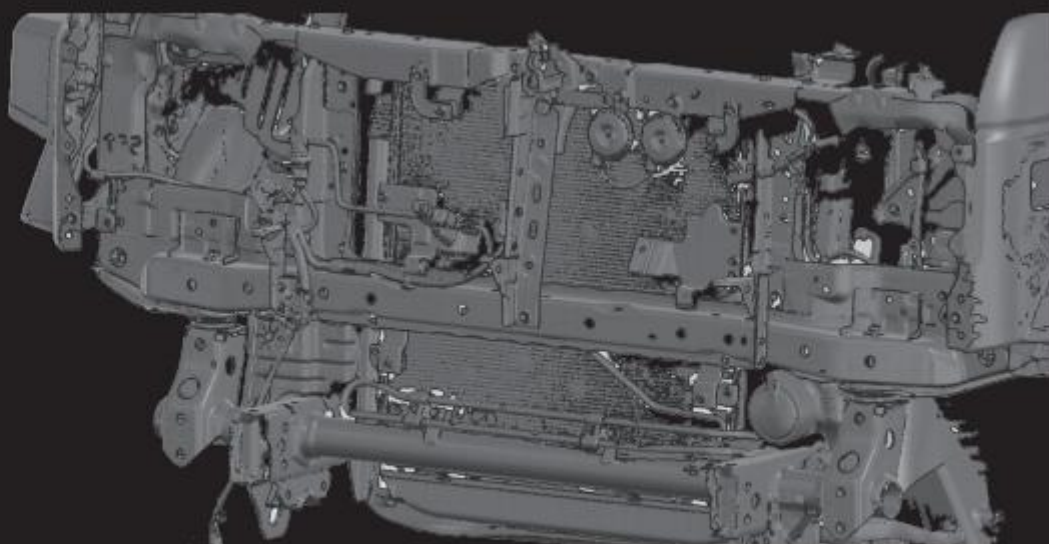
APPLICABLE SCOPE: NEW TOYOTA LC71, LC76, LC78

注意：饰板与前杠为黑色，下面安装方法为正常安装步骤，客户如需改色，则需要安装之前进行改色处理，在进行下步安装操作

NOTE: THE TRIM AND FRONT BUMPER ARE BLACK. THE FOLLOWING INSTALLATION METHOD IS THE NORMAL INSTALLATION STEP. IF THE CUSTOMER NEEDS TO CHANGE THE COLOR, IT IS NECESSARY TO CHANGE THE COLOR BEFORE INSTALLATION.



# 01.



拆除原车前杠，中网及中网下金属框与大灯

REMOVE THE ORIGINAL FRONT BUMPER, GRILLE, METAL FRAME UNDER THE GRILLE AND HEADLIGHTS

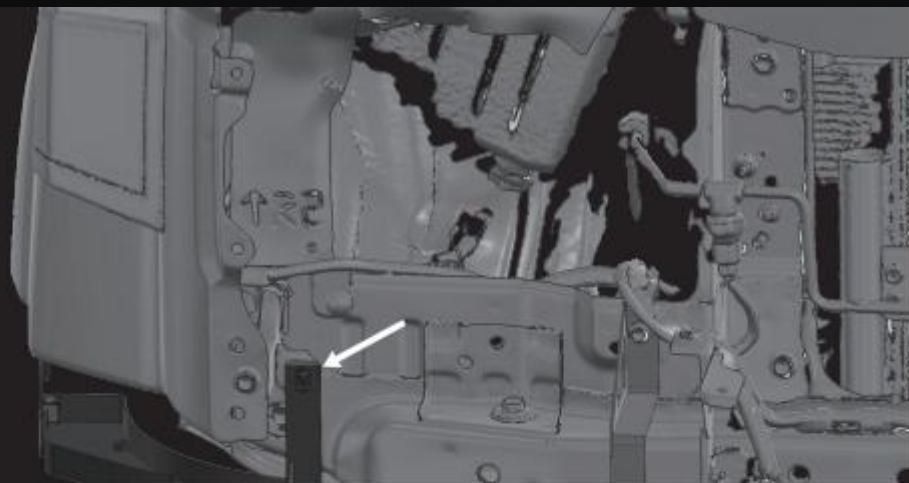
# 02.



拆除大灯螺丝安装下延长饰板支架（注意：箭头位置使用原车螺丝）

REMOVE THE HEADLIGHT SCREWS AND INSTALL THE LOWER EXTENDED TRIM BRACKET (NOTE: USE THE ORIGINAL CAR SCREWS AT THE ARROW POSITION)

03.

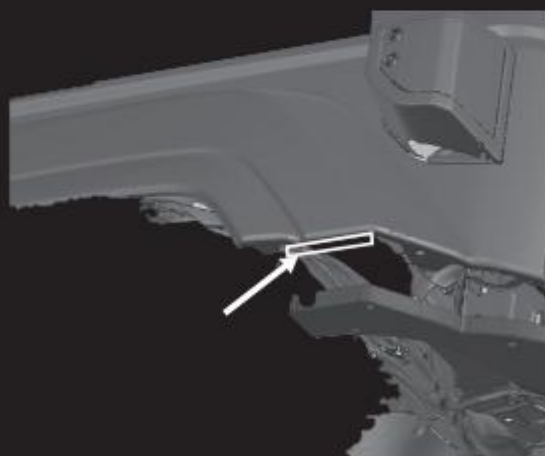
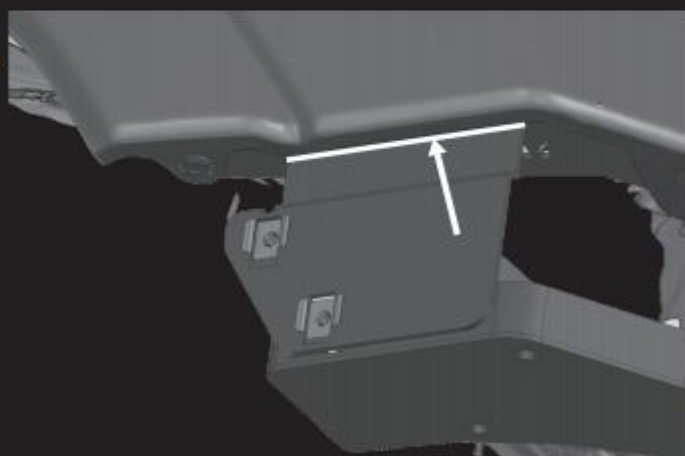


支架安装完毕后安装车辆大灯（注意：安装大灯此位置灯脚必须插在支架与安装位置中间）

AFTER THE BRACKET IS INSTALLED, INSTALL THE VEHICLE HEADLIGHTS

NOTE: WHEN INSTALLING THE HEADLIGHTS, THE LAMP FEET MUST BE INSERTED BETWEEN THE BRACKET AND THE INSTALLATION POSITION

04.



拆除原车此为止塑料饰板并切除安装支架所在的干涉位置（注意：支架有标记左右，不可装反）

REMOVE THE ORIGINAL PLASTIC TRIM AND CUT OFF THE INTERFERING POSITION OF THE MOUNTING BRACKET

NOTE: THE BRACKET IS MARKED WITH LEFT AND RIGHT, SO IT CANNOT BE INSTALLED UPSIDE DOWN

05.



1. 放入支架并安装好切割后的饰板，使用延长饰板薄平头螺丝进行固定（注意：左右操作步骤一样）

1. PUT IN THE BRACKET AND INSTALL THE CUT TRIM PANEL, AND FIX IT WITH THE THIN FLAT HEAD SCREWS OF THE EXTENDED TRIM PANEL

NOTE: THE OPERATION STEPS ARE THE SAME FOR BOTH SIDES



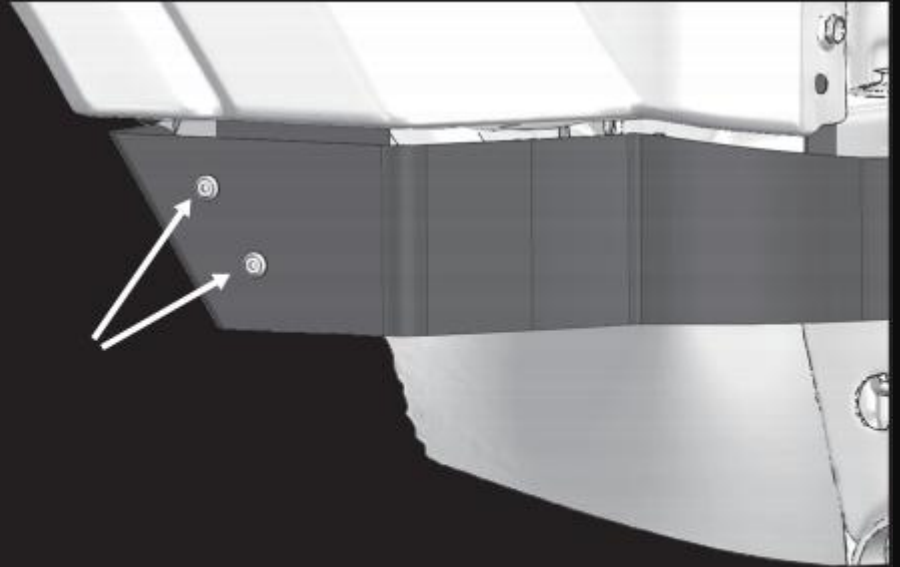
## 2. 卡入与车身同颜色胶条

(注意需要安装中网灯的客户此步操作之前需要拆除黑色网, 下一步安装灯, 在进行安装安装延长饰板)

2. INSERT THE RUBBER STRIP OF THE SAME COLOR AS THE CAR BODY

(NOTE THAT CUSTOMERS WHO NEED TO INSTALL THE CENTER NET LIGHT NEED TO REMOVE THE BLACK NET BEFORE THIS STEP, INSTALL THE LIGHT IN THE NEXT STEP, AND THEN INSTALL THE EXTENSION TRIM)

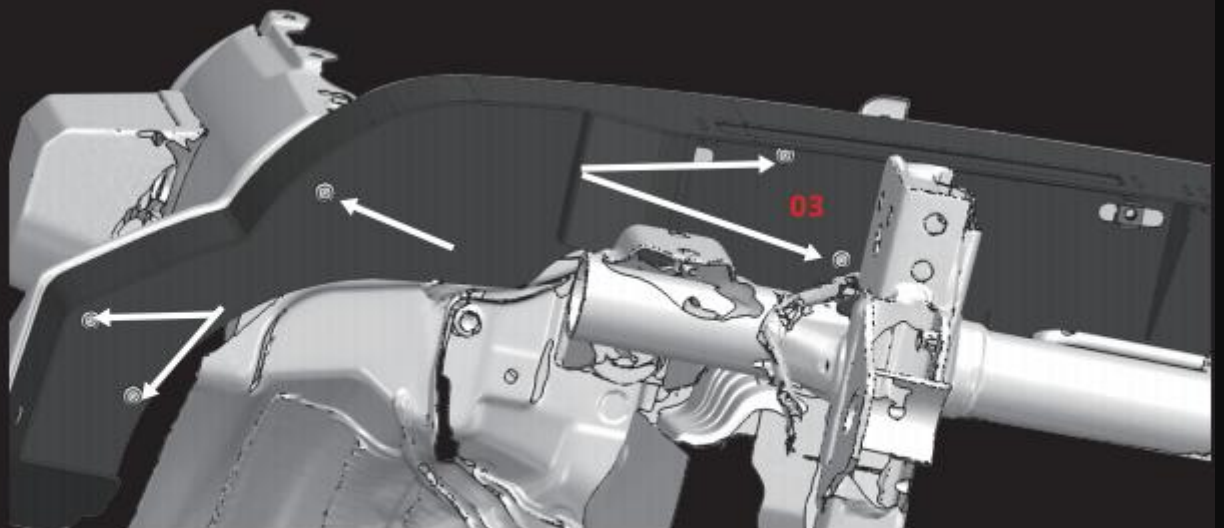
# 06.



安装两侧饰板位置螺丝 (注意: 不需要锁紧)

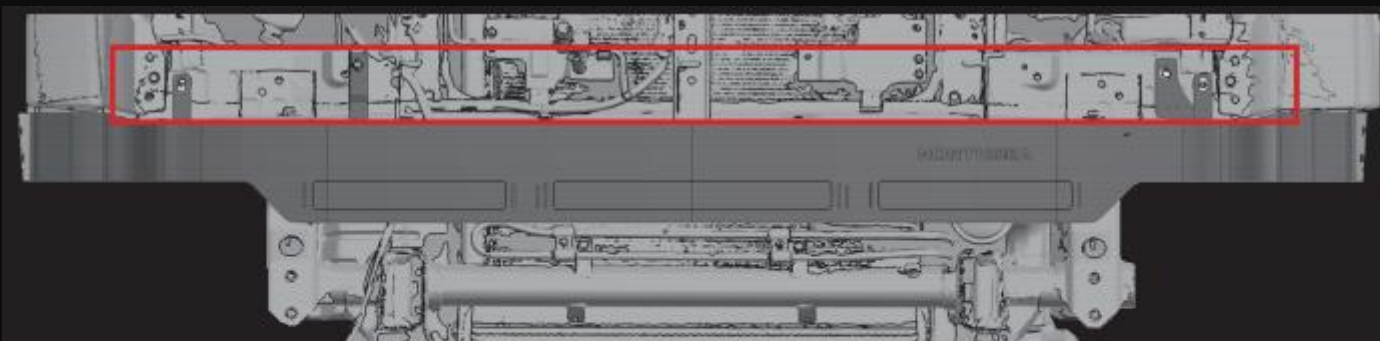
INSTALL THE SCREWS ON BOTH SIDES OF THE TRIM PANEL (NOTE: NO NEED TO TIGHTEN)

# 07.



1. 安装饰板底部螺丝 (注意: 如需装灯, 03位置螺丝不用安装)

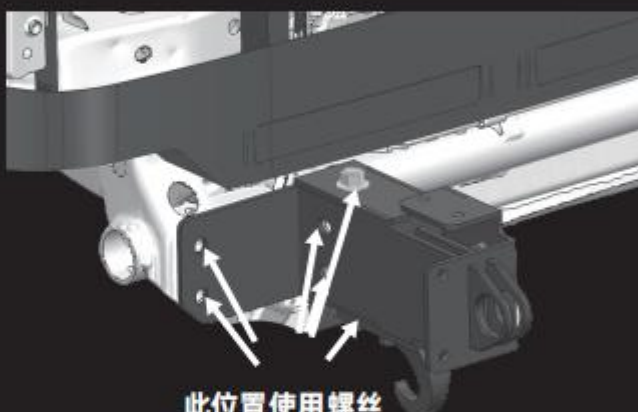
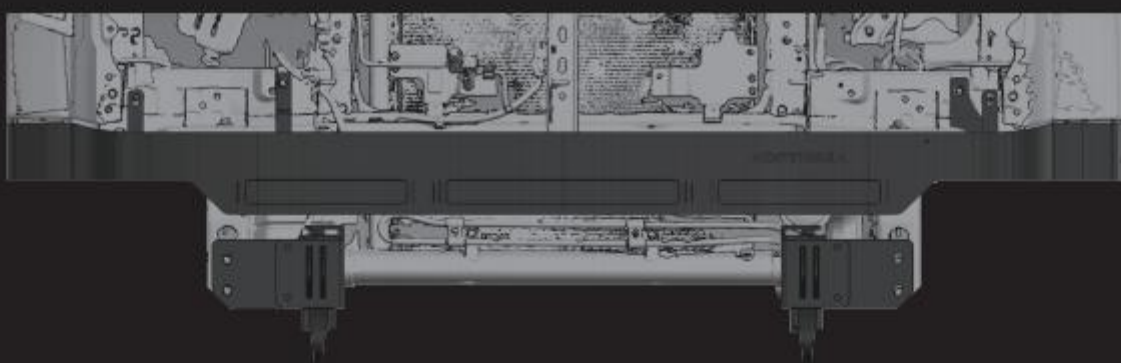
1. INSTALL THE SCREWS AT THE BOTTOM OF THE TRIM PANEL (NOTE: IF YOU NEED TO INSTALL A LIGHT, THE SCREWS AT POSITION 03 DO NOT NEED TO BE INSTALLED)



## 2. 恢复原车下金属框

2. RESTORE THE ORIGINAL METAL FRAME UNDER THE CAR

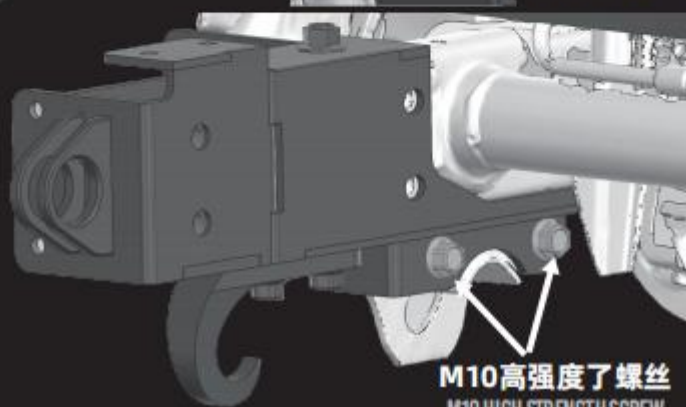
# 08.



此位置使用螺丝  
USE SCREWS AT THIS LOCATION



使用前杠安装螺丝M12  
USE FRONT BAR MOUNTING SCREW M12



M10高强度了螺丝  
M10 HIGH STRENGTH SCREW

安装两侧梁头加长支架（注意：此步骤螺丝无需锁紧）

INSTALL THE EXTENDED BRACKETS ON BOTH SIDES OF THE BEAM HEAD (NOTE: THE SCREWS DO NOT NEED TO BE TIGHTENED IN THIS STEP)

09.

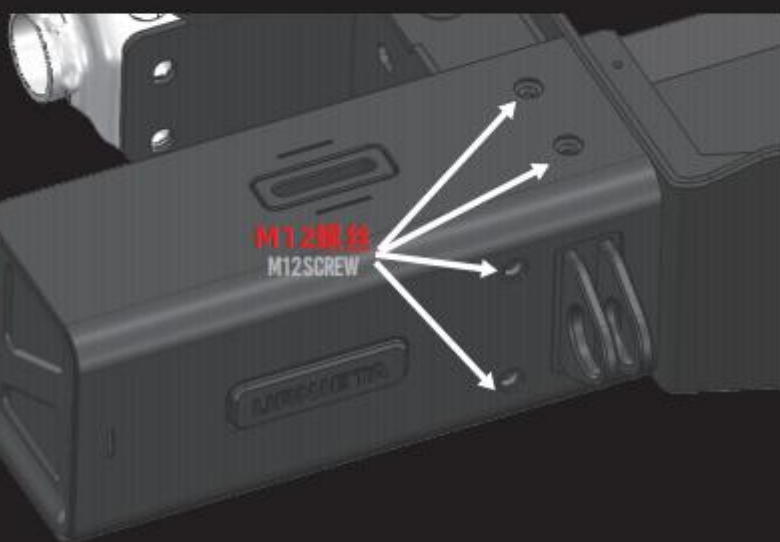


拆除绞盘支架盖板并安装绞盘支架

REMOVE THE WINCH BRACKET COVER AND INSTALL THE WINCH BRACKET

10. 锁紧所有安装螺丝  
TIGHTEN ALL MOUNTING SCREWS

11.



安装两侧包角 (注意: 螺丝无需锁紧)

INSTALL THE CORNERS ON BOTH SIDES (NOTE: THE SCREWS DO NOT NEED TO BE TIGHTENED)

12.



安装千斤顶支座并锁紧步骤11螺丝

INSTALL THE JACK STAND AND TIGHTEN THE SCREWS IN STEP 11

如需安装绞盘则无需安装上盖板, 如无绞盘则需盖上面盖板并使用拆下的螺丝进行固定

IF YOU NEED TO INSTALL A WINCH, YOU DO NOT NEED TO INSTALL THE UPPER COVER. IF THERE IS NO WINCH, YOU NEED TO COVER THE UPPER COVER AND FIX IT WITH THE REMOVED SCREWS.

13.



### 安装水箱护板

INSTALL THE WATER TANK GUARD

#### ■ 产品参数

#### PRODUCT PARAMETERS

NAME	产品名称	复古前杠套件
MATERIAL	材质	铝镁合金
COLOUR	颜色	武士黑 (可自行改色)
SPECIFICATIONS	产品规格	1752*605*447MM

URNIETA®