

INSTALLATION INSTRUCTION

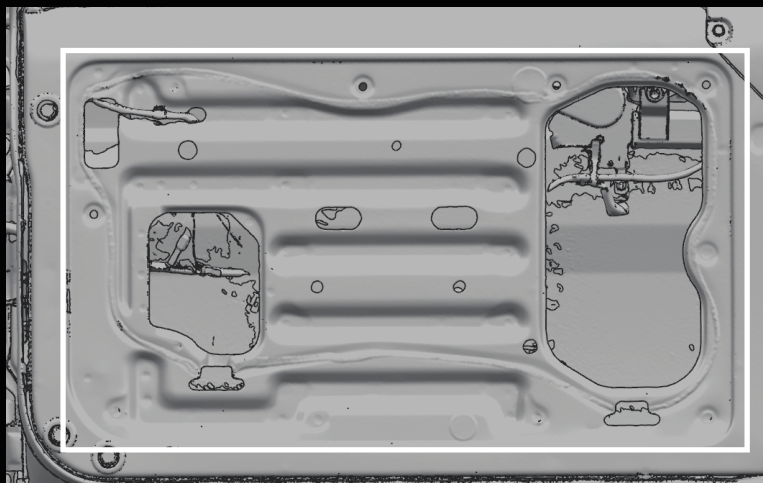
TOYOTA LC 7 Series Tailgate Multifunctional Platform

丰田LC 71/76/78/79

TOYOTA LC 71/76/78/79

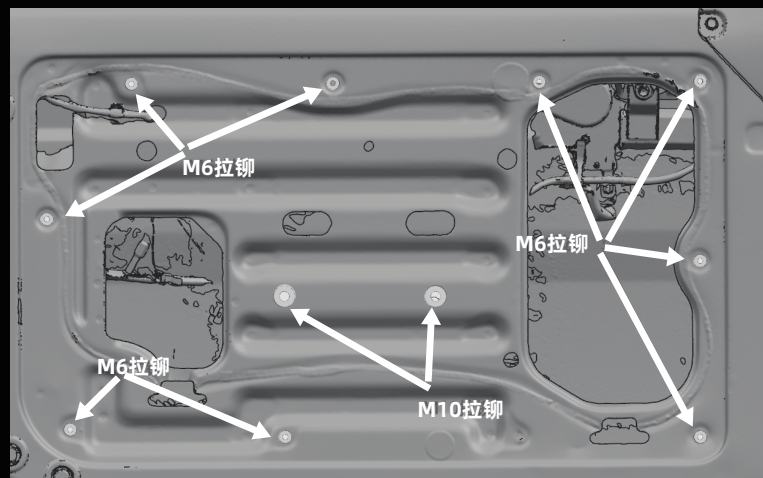


01.



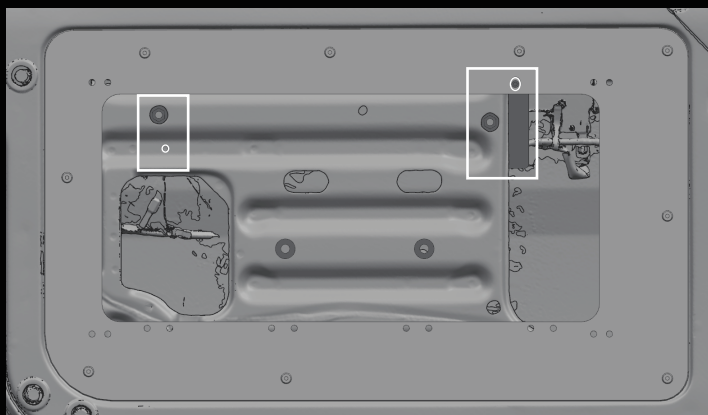
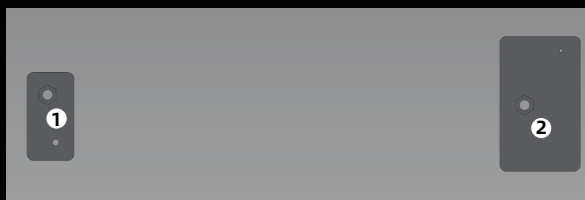
拆除右侧尾门内饰板
REMOVE THE RIGHT TAILGATE INTERIOR PANEL

02.



在图示对应进行扩孔拉铆（注意外侧是M6拉铆，中间两个是M10拉铆）
EXPAND THE HOLES AND RIVET AS SHOWN IN THE FIGURE (NOTE THAT THE OUTER SIDE IS M6 RIVET, AND THE TWO IN THE MIDDLE ARE M10 RIVETS)

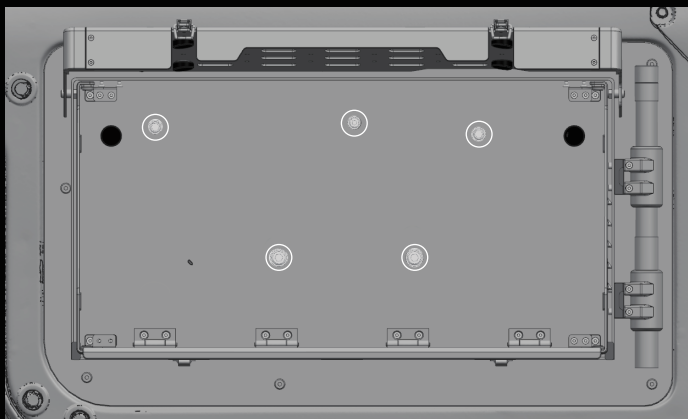
03.



安装后背板与拓展支架

INSTALL THE BACK PANEL AND EXPANSION BRACKET

04.



展开尾门平台，在对应孔固定尾门平台安装螺丝

UNFOLD THE TAILGATE PLATFORM AND FIX THE TAILGATE PLATFORM MOUNTING SCREWS IN THE CORRESPONDING HOLES

产品参数

PRODUCT PARAMETERS

NAME	产品名称	LC7系尾门平台
MATERIAL	材 质	铝镁合金
COLOUR	颜 色	武士黑
SPECIFICATIONS	产品规格	713MM*413MM*80MM

出厂配置

FACTORY CONFIGURATION

名称	平台总成	遥控露营灯
	伸缩灯架	拓展挂包X2