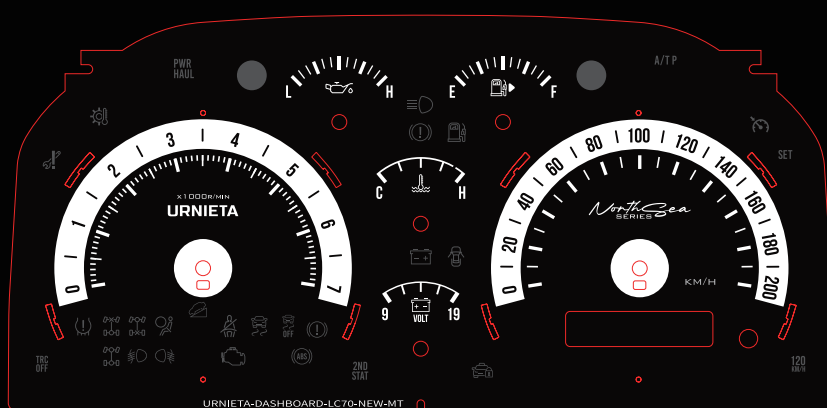


URNIETA®

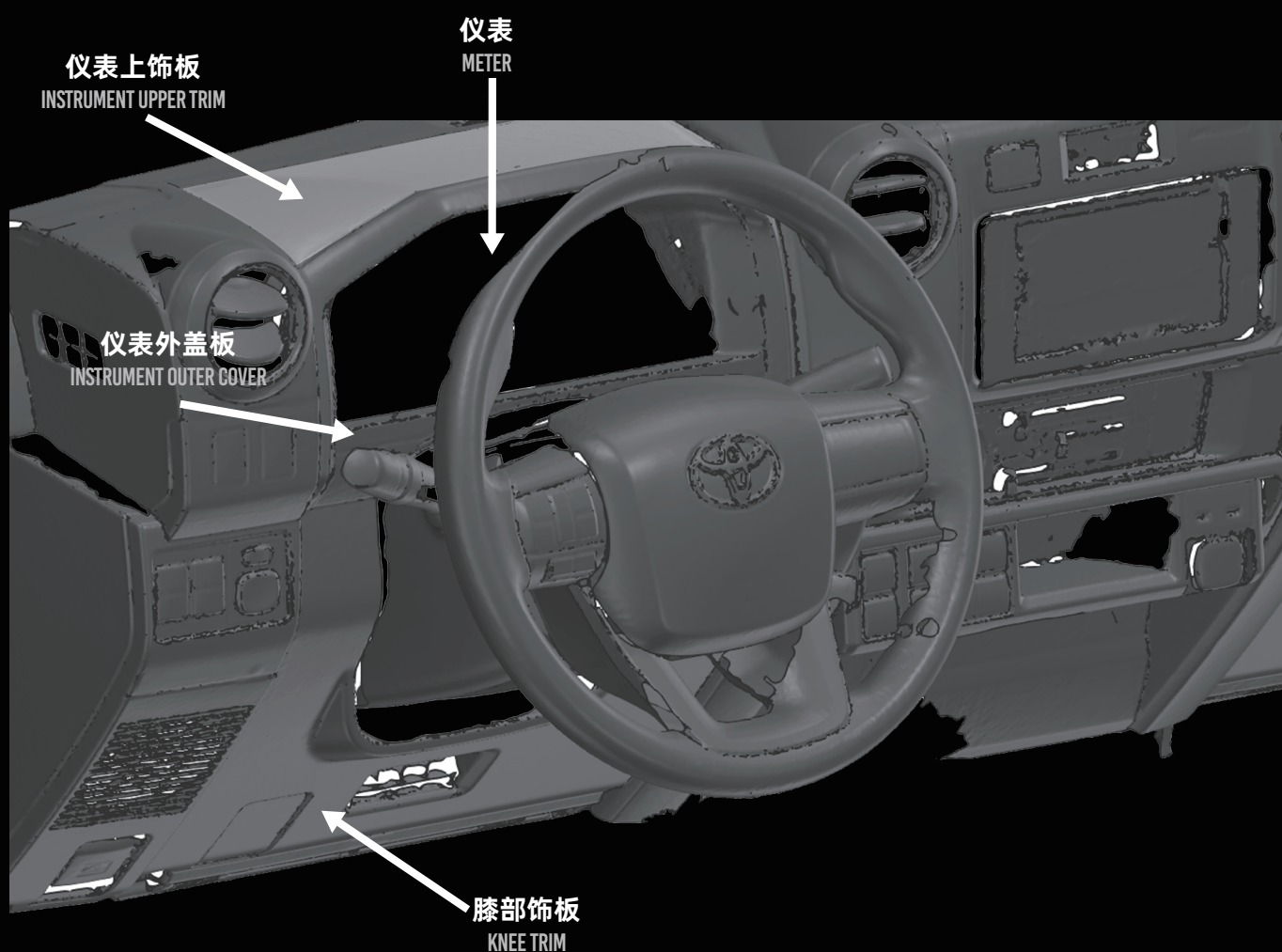
RETRO DASHBOARD

复古仪表盘
安装说明书

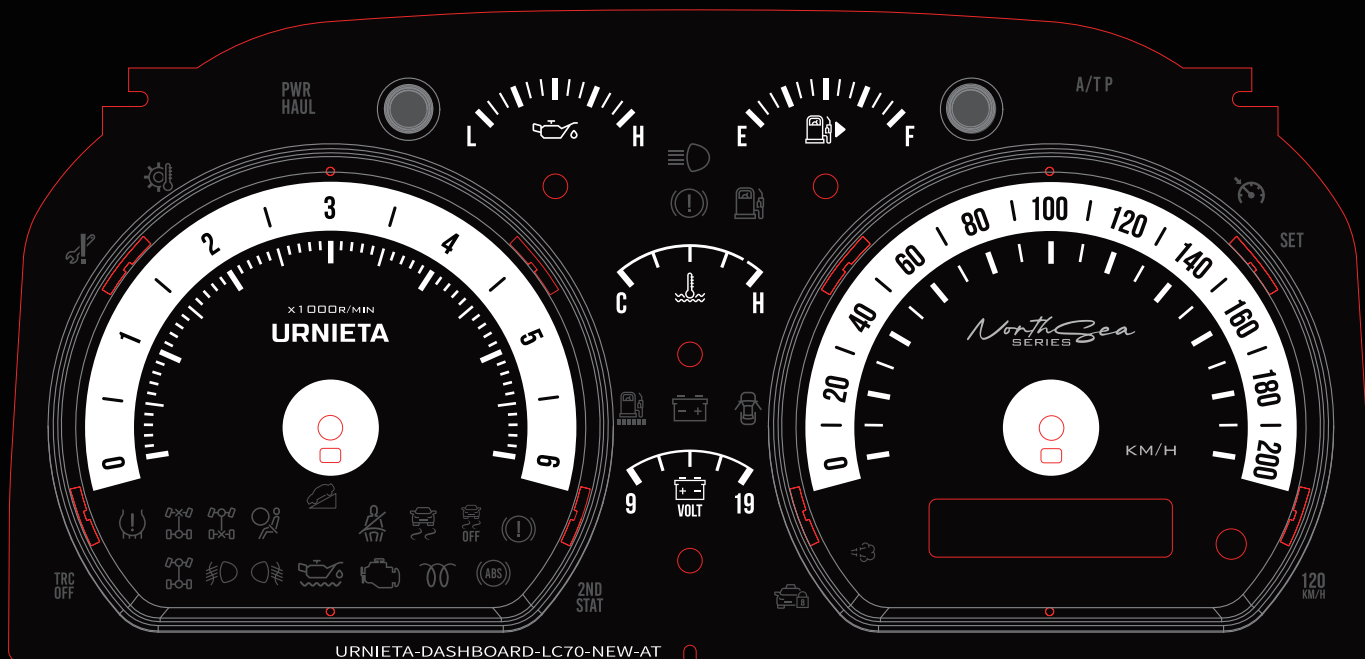


适用范围：丰田(新老款)LC71/76
APPLICABLE SCOPE: TOYOTA (NEW AND OLD MODELS) LC71/76

01. 拆除原车导航饰板 REMOVE THE ORIGINAL CAR NAVIGATION TRIM

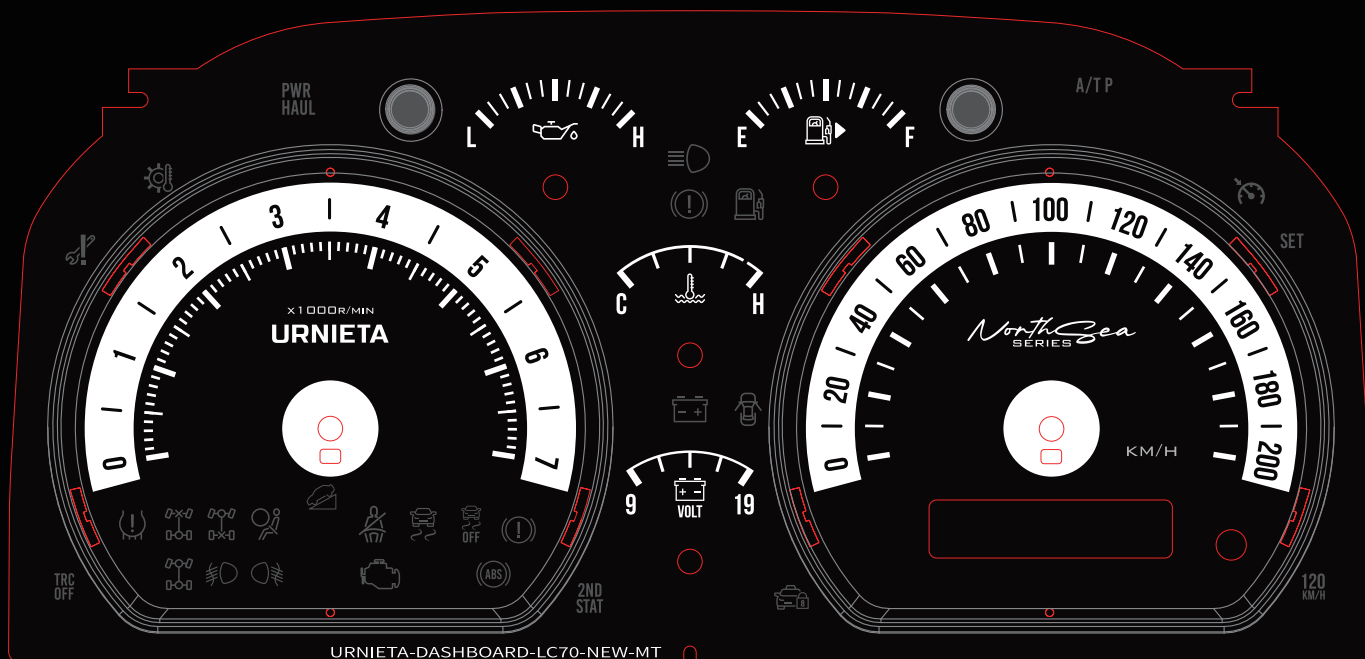


02. 拆开原车仪表，将旧仪表贴纸替换成新仪表贴纸（注意：拆解仪表时需要将仪表放平拍照保留指针位置，以避免拆解后指针位置偏差大的问题）（注意：仪表左下角标识为车型标识）
 DISASSEMBLE THE ORIGINAL CAR INSTRUMENT AND REPLACE THE OLD INSTRUMENT STICKER WITH A NEW ONE (NOTE: WHEN DISASSEMBLING THE INSTRUMENT, YOU NEED TO LAY THE INSTRUMENT FLAT AND TAKE A PHOTO TO KEEP THE POINTER POSITION TO AVOID THE PROBLEM OF LARGE DEVIATION OF THE POINTER POSITION AFTER DISASSEMBLY) (NOTE: THE MARK ON THE LOWER LEFT CORNER OF THE INSTRUMENT IS THE MODEL MARK)

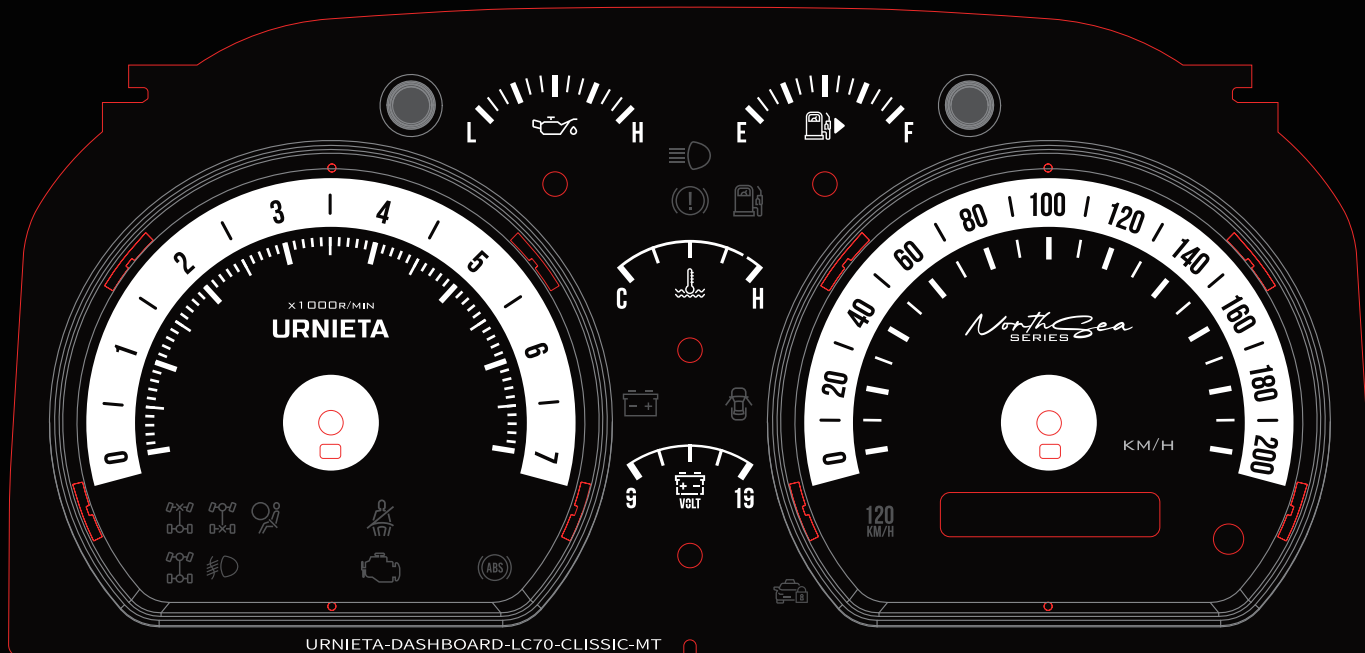


新款7系自动挡
NEW 7 SERIES AUTOMATIC

仪表贴纸标识
INSTRUMENT STICKER LOGO



新款手动挡
NEW MANUAL TRANSMISSION



老款7系手动
OLD 7 SERIES MANUAL