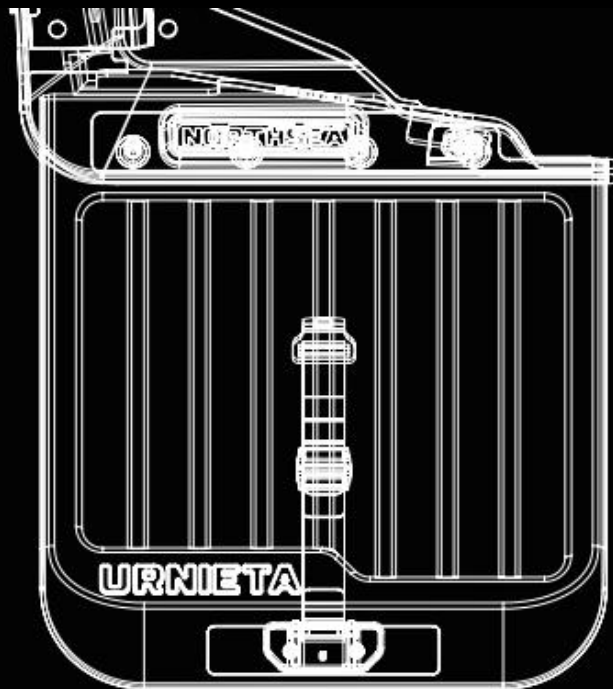


MUDGUARD

LC76带轮眉挡泥板
安装说明书

适用范围：LC76--2024款
APPLICABLE SCOPE: LC76-2024

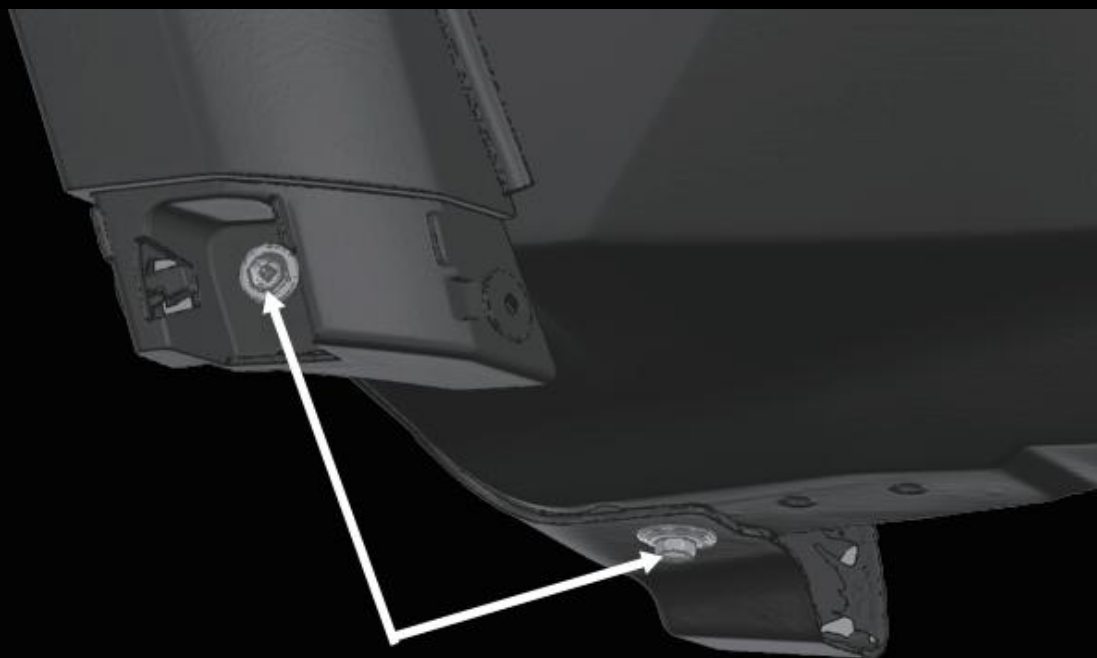


01.



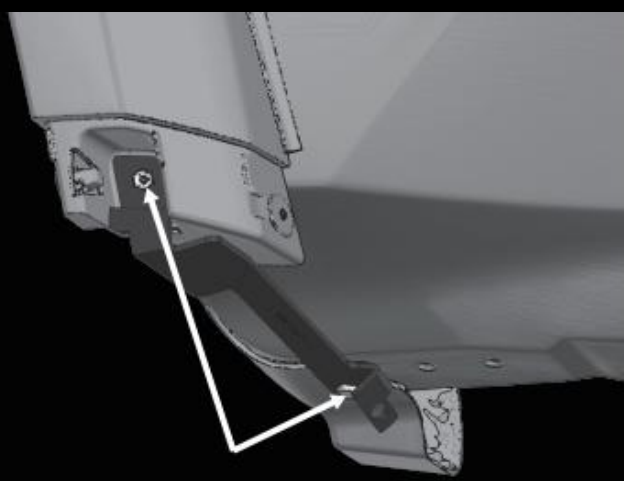
拆除原车所有挡泥板及支架（注意：有原车踏板的需要拆除原车踏板进行改动，改装方法请参考第5项）
REMOVE ALL FENDERS AND BRACKETS OF THE ORIGINAL VEHICLE
(NOTE: IF THERE ARE ORIGINAL PEDALS, THE ORIGINAL PEDALS NEED TO BE REMOVED FOR MODIFICATION. PLEASE REFER TO ITEM 5 FOR MODIFICATION METHODS)

02.



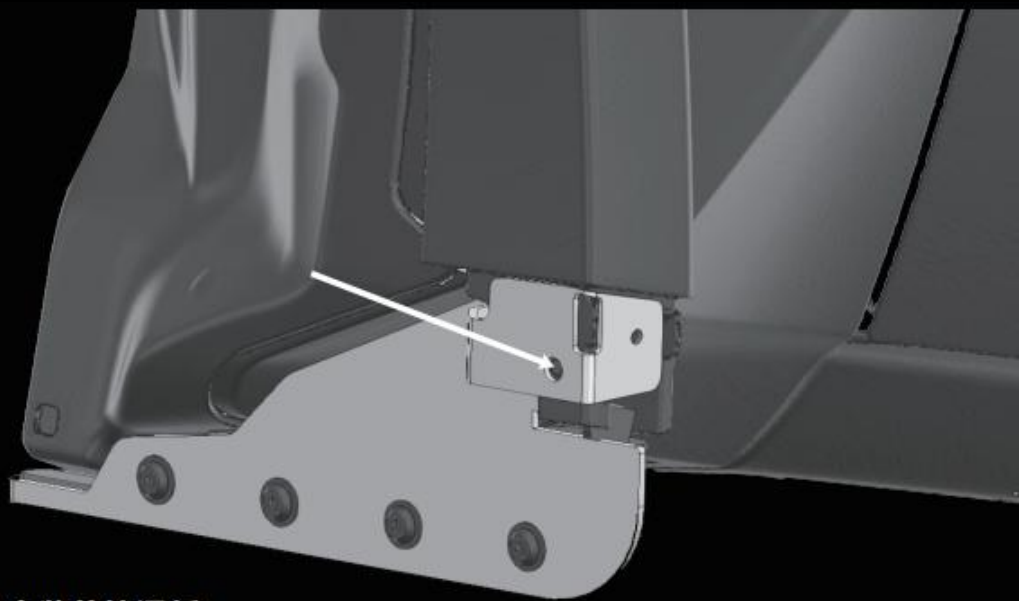
拆除前轮眉此位置螺丝
REMOVE THE SCREWS AT THIS POSITION OF THE FRONT WHEEL EYEBROW

03.



使用原车螺丝固定新支架
USE THE ORIGINAL SCREWS TO FIX THE NEW BRACKET

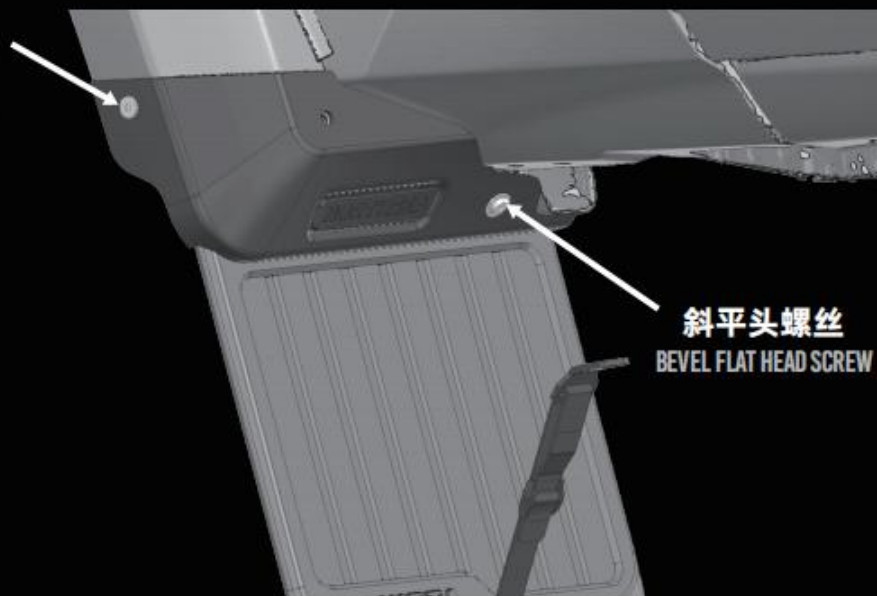
04.



如下图所示箭头位置使用原车自攻丝安装前挡泥板
INSTALL THE FRONT FENDER USING THE ORIGINAL SELF-TAPPING SCREWS AT THE ARROW POSITION AS SHOWN IN THE FIGURE BELOW

05.

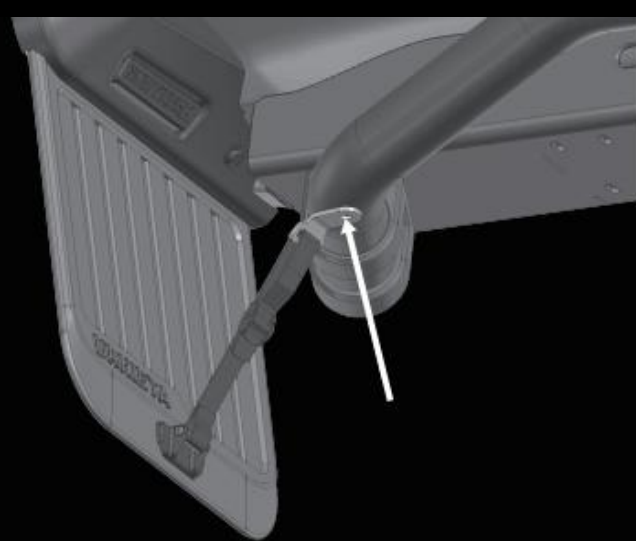
扁平头螺丝
FLAT HEAD SCREW



斜平头螺丝
BEVEL FLAT HEAD SCREW

固定外壳（注意：外侧使用扁平头螺丝，底部孔对准之后使用斜平头螺丝进行固定）
FIX THE HOUSING (NOTE: USE FLAT HEAD SCREWS ON THE OUTSIDE AND USE OBLIQUE FLAT HEAD SCREWS TO FIX AFTER ALIGNING THE BOTTOM HOLES)

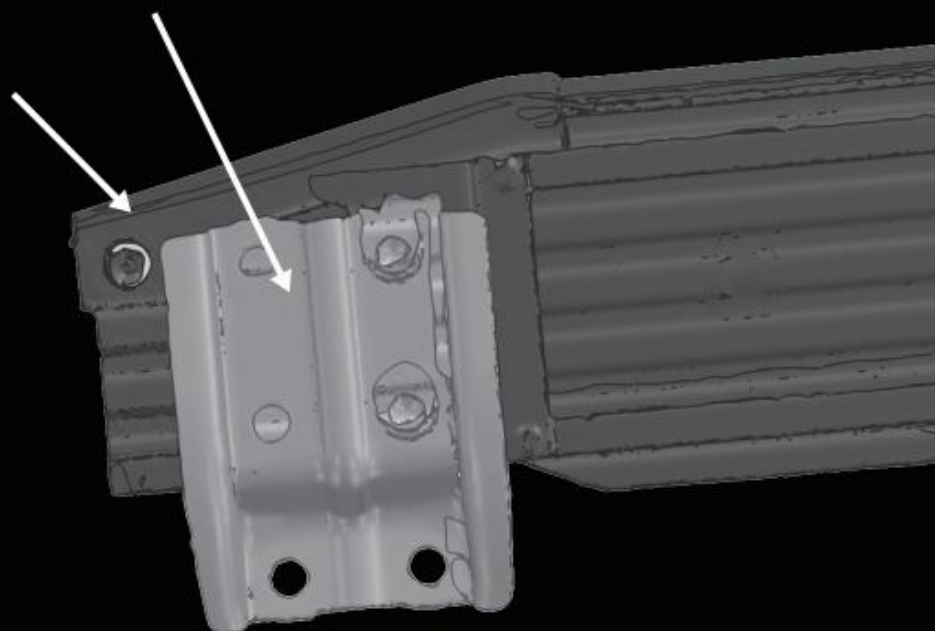
06.



固定张紧带

01. 安装URNIETA侧杠需要在挡泥板安装完后张紧绳拉紧情况下在如图位置圆管上打孔并使用M6丝攻攻牙
FIX THE TENSIONING BELT

01. TO INSTALL THE URNIETA SIDE BAR, AFTER THE FENDER IS INSTALLED, THE TENSIONING ROPE SHOULD BE TIGHTENED. THEN, DRILL HOLES ON THE ROUND TUBE AT THE POSITION SHOWN IN THE FIGURE AND USE M6 TAPS TO TAP THE HOLES.



02. 改装原车侧杠

A. 拆除原车侧杠前支架及前盖

02. MODIFY THE ORIGINAL SIDE BAR

A. REMOVE THE FRONT BRACKET AND FRONT COVER OF THE ORIGINAL SIDE BAR

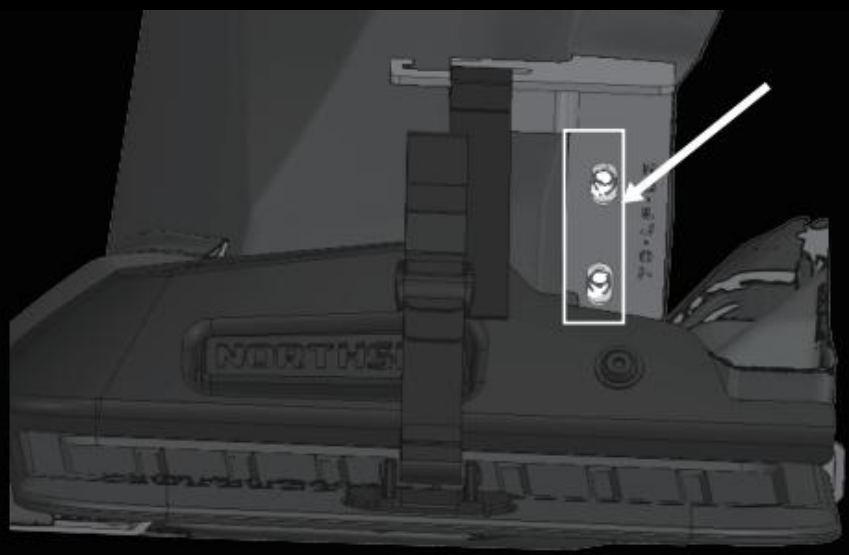


B. 按拆除原车前盖板形状切除15CM

B. REMOVE 15CM ACCORDING TO THE SHAPE OF THE ORIGINAL FRONT COVER

C. 安装原车侧踏前盖

C. INSTALL THE ORIGINAL SIDE STEP FRONT COVER



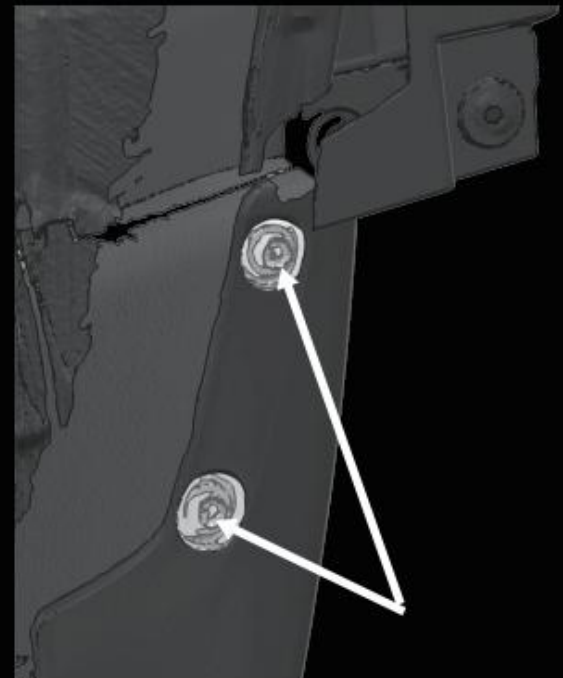
03. 安装前挡泥板张紧带支架（注意：使用原车侧杠支架螺丝）
03. INSTALL THE FRONT FENDER TENSIONER BRACKET (NOTE: USE THE ORIGINAL SIDE BAR BRACKET SCREWS)

07.



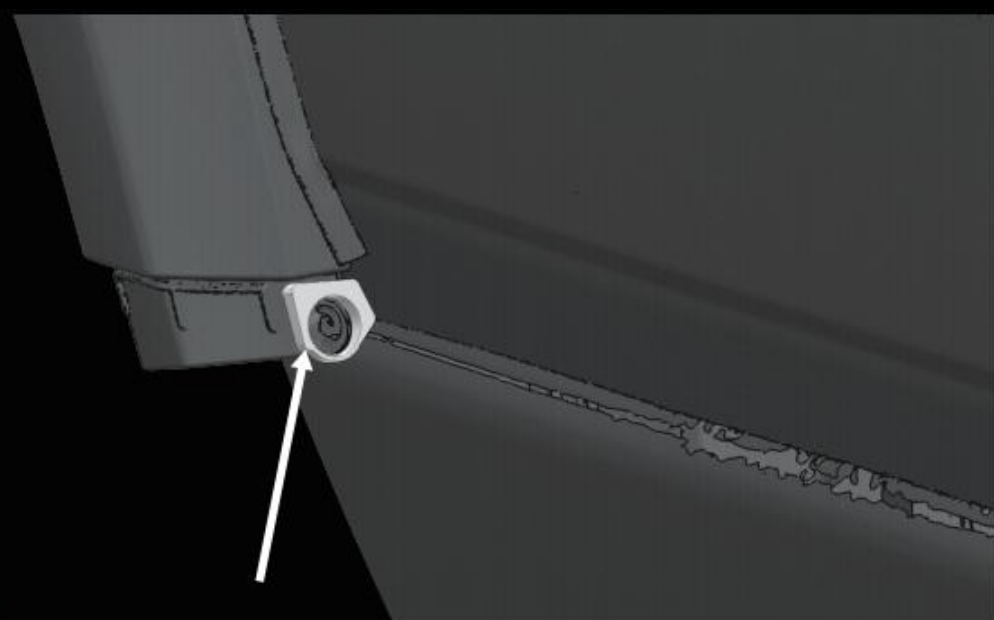
拆下原车后挡泥板支架
REMOVE THE ORIGINAL REAR FENDER BRACKET
将拆下的后挡泥板支架使用原车螺丝安装在新的挡泥板上
INSTALL THE REMOVED REAR FENDER BRACKET ON THE NEW FENDER USING THE ORIGINAL CAR SCREWS

08.



拆除如图所示位置自攻丝卡扣
REMOVE THE SELF-TAPPING CLIP AS SHOWN IN THE FIGURE

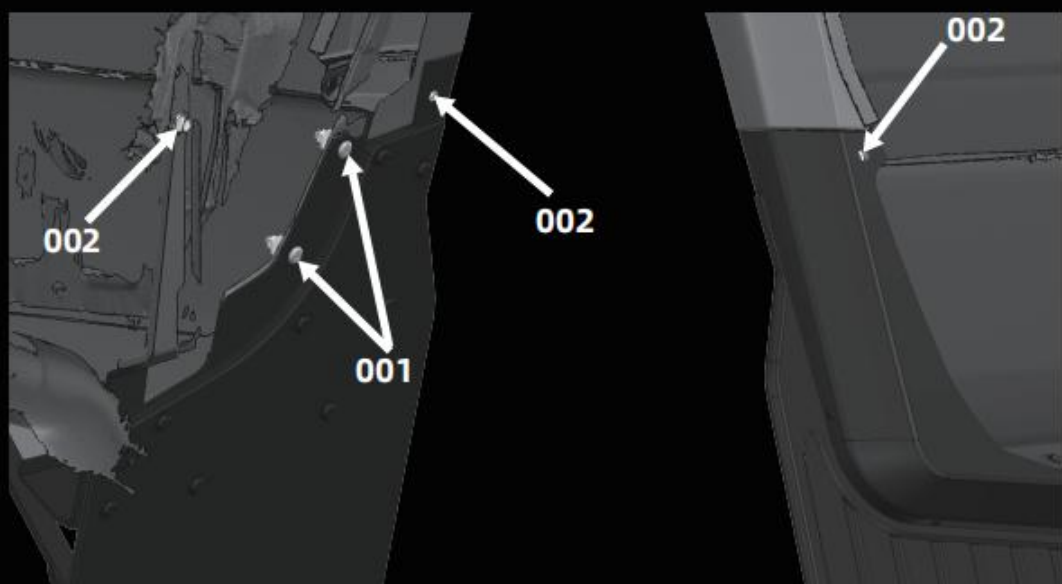
09.



使用助粘剂粘贴后轮眉此位置增高块

USE ADHESIVE TO STICK THE HEIGHTENING BLOCK AT THIS POSITION OF THE REAR WHEEL ARCH

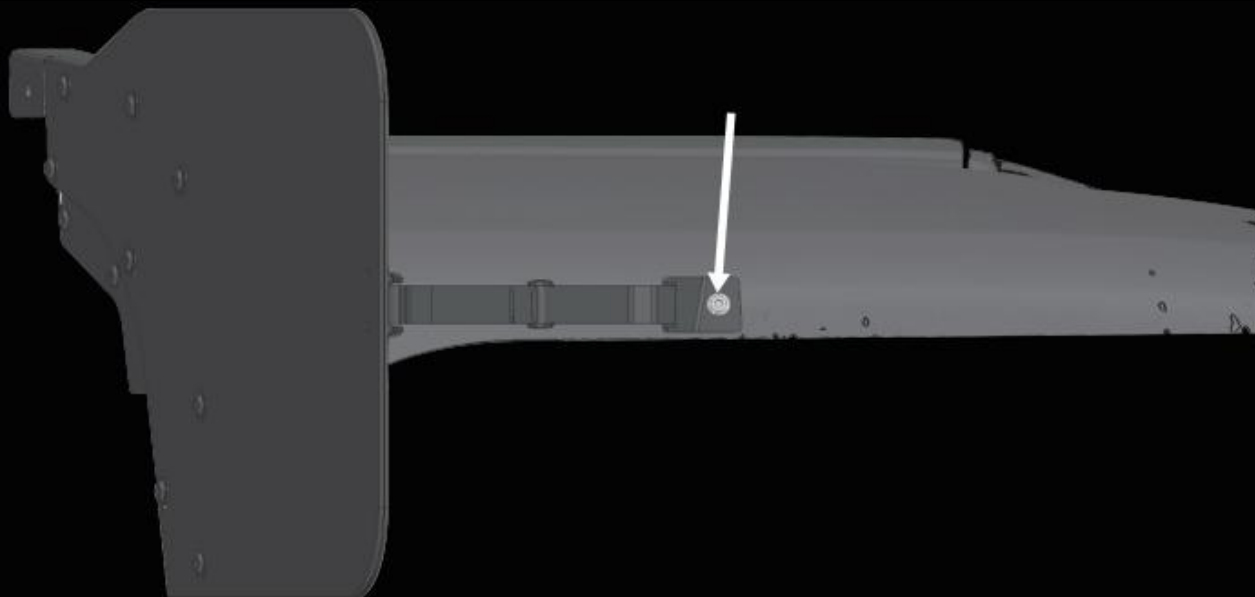
10.



安装后挡泥板（注意：001位置使用后轮眉专用加长螺丝 002位置使用原车螺丝固定）

INSTALL THE REAR FENDER (NOTE: USE THE EXTENDED SCREWS FOR THE REAR WHEEL ARCH AT POSITION 001 AND THE ORIGINAL CAR SCREWS AT POSITION 002)

11.



安装后张紧绳（注意：箭头位置使用8MM钻头打孔并使用专用后尾轮眉螺丝安装固定）

INSTALL THE REAR TENSION ROPE (NOTE: USE AN 8MM DRILL TO DRILL HOLES AT THE ARROW POSITION AND USE THE SPECIAL REAR WHEEL EYEBROW SCREWS TO INSTALL AND FIX)

■ 产品参数

PRODUCT PARAMETERS

NAME	产品名称	LC76NS挡泥板套件
COLOUR	颜色	武士黑
SPECIFICATIONS	产品规格	365*287*59MM

URNIETA[®] NORTH
SEA