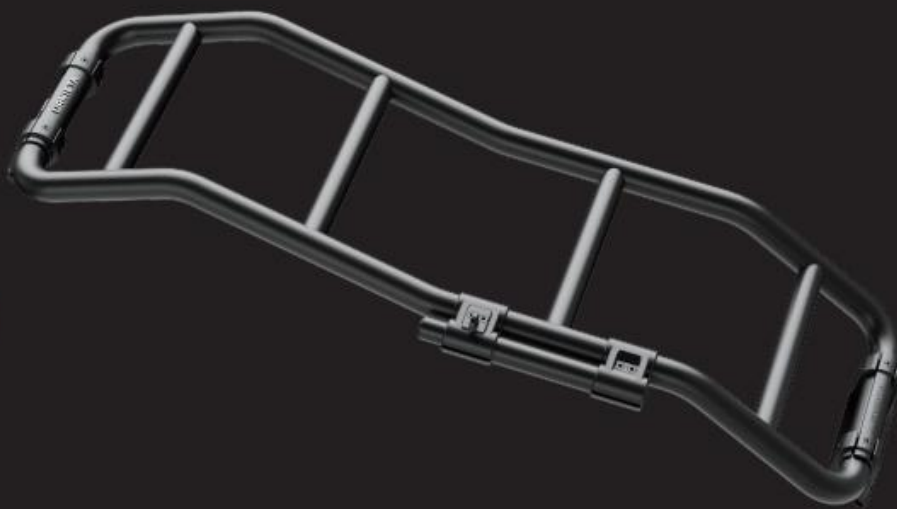


URNIETA®

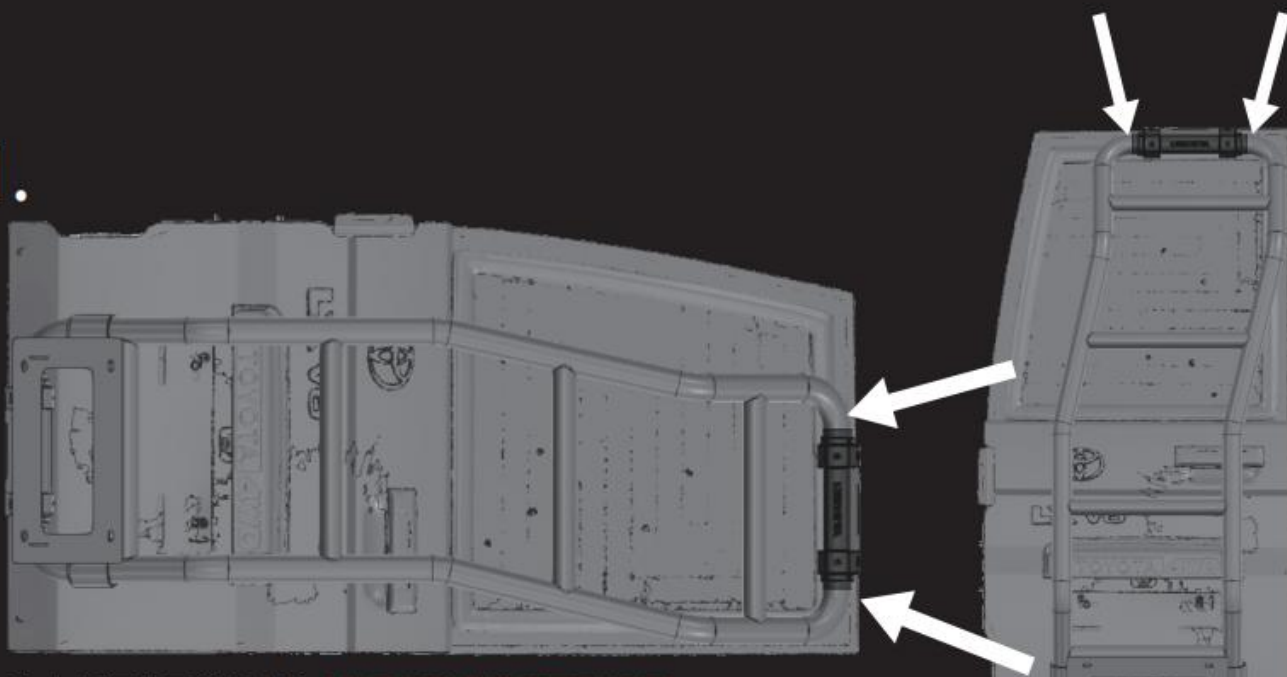
REAR DOOR LADDER KIT

尾门爬梯套件 安装说明书

适用范围：丰田LC71 / LC76
APPLICABLE SCOPE: TOYOTA LC71 / LC76

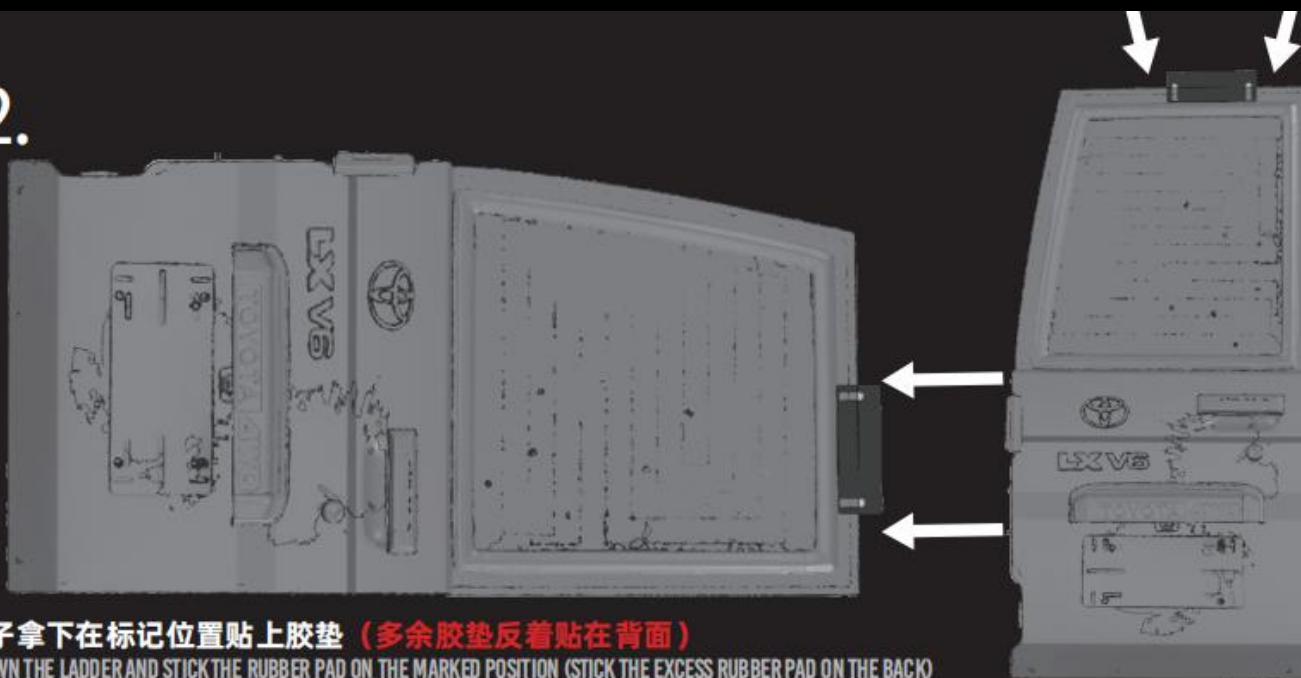


01.



将梯子卡在门框位置进行定位（使用纸胶带进行两侧标记）
POSITION THE LADDER AGAINST THE DOOR FRAME (MARK BOTH SIDES WITH MASKING TAPE)

02.



将梯子拿下在标记位置贴上胶垫（多余胶垫反着贴在背面）
TAKE DOWN THE LADDER AND STICK THE RUBBER PAD ON THE MARKED POSITION (STICK THE EXCESS RUBBER PAD ON THE BACK)

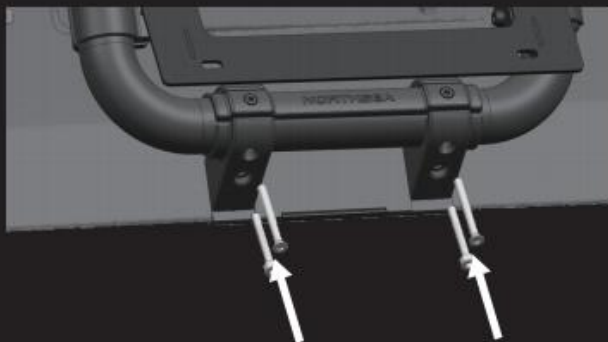
03.



将梯子主体悬挂在车门上，调整下支架与管支架间隙（备注：间隙在3-4mm即可）

HANG THE MAIN BODY OF THE LADDER ON THE CAR DOOR AND ADJUST THE GAP BETWEEN THE LOWER BRACKET AND THE PIPE BRACKET (NOTE: THE GAP SHOULD BE 3-4MM)

04.



调整好之后锁紧螺丝，放入下支架涨紧块，并使用螺丝紧固（注意：涨紧块两侧与LOGO统一方向）

AFTER ADJUSTMENT, TIGHTEN THE SCREWS, PUT IN THE LOWER BRACKET TENSION BLOCK, AND TIGHTEN IT WITH SCREWS

(NOTE: THE TWO SIDES OF THE TENSION BLOCK SHOULD BE IN THE SAME DIRECTION AS THE LOGO)

产品参数

PRODUCT PARAMETERS

NAME	产品名称	卫门爬梯套件
MATERIAL	材质	铝镁合金
COLOUR	颜色	武士黑
SPECIFICATIONS	产品规格	1134*476*301MM

URNIETA®