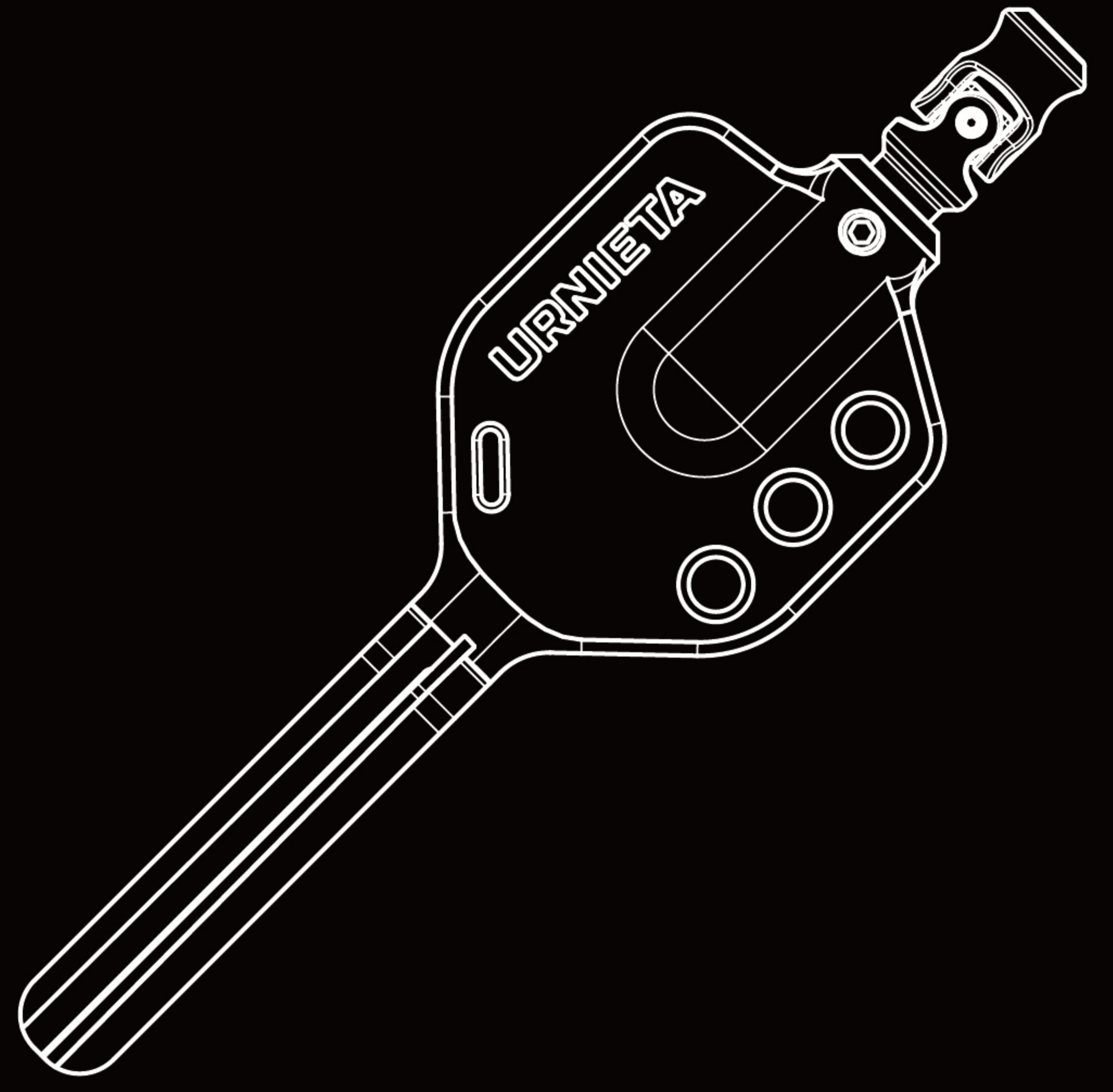


URNIETA®

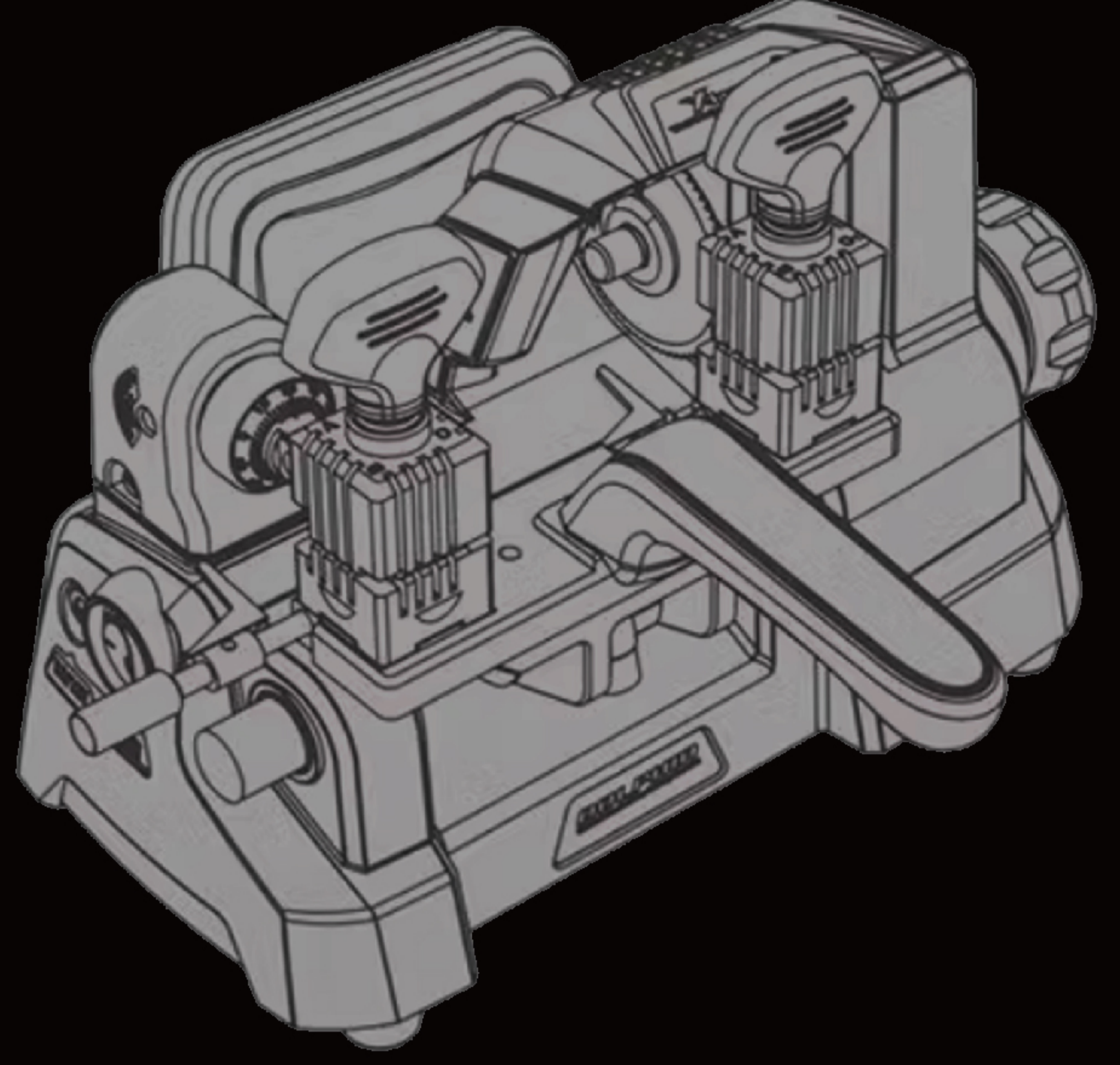
KEY KIT

钥匙套件

适用范围：丰田 LC 70
APPLICABLE SCOPE: TOYOTA LC 70



01.



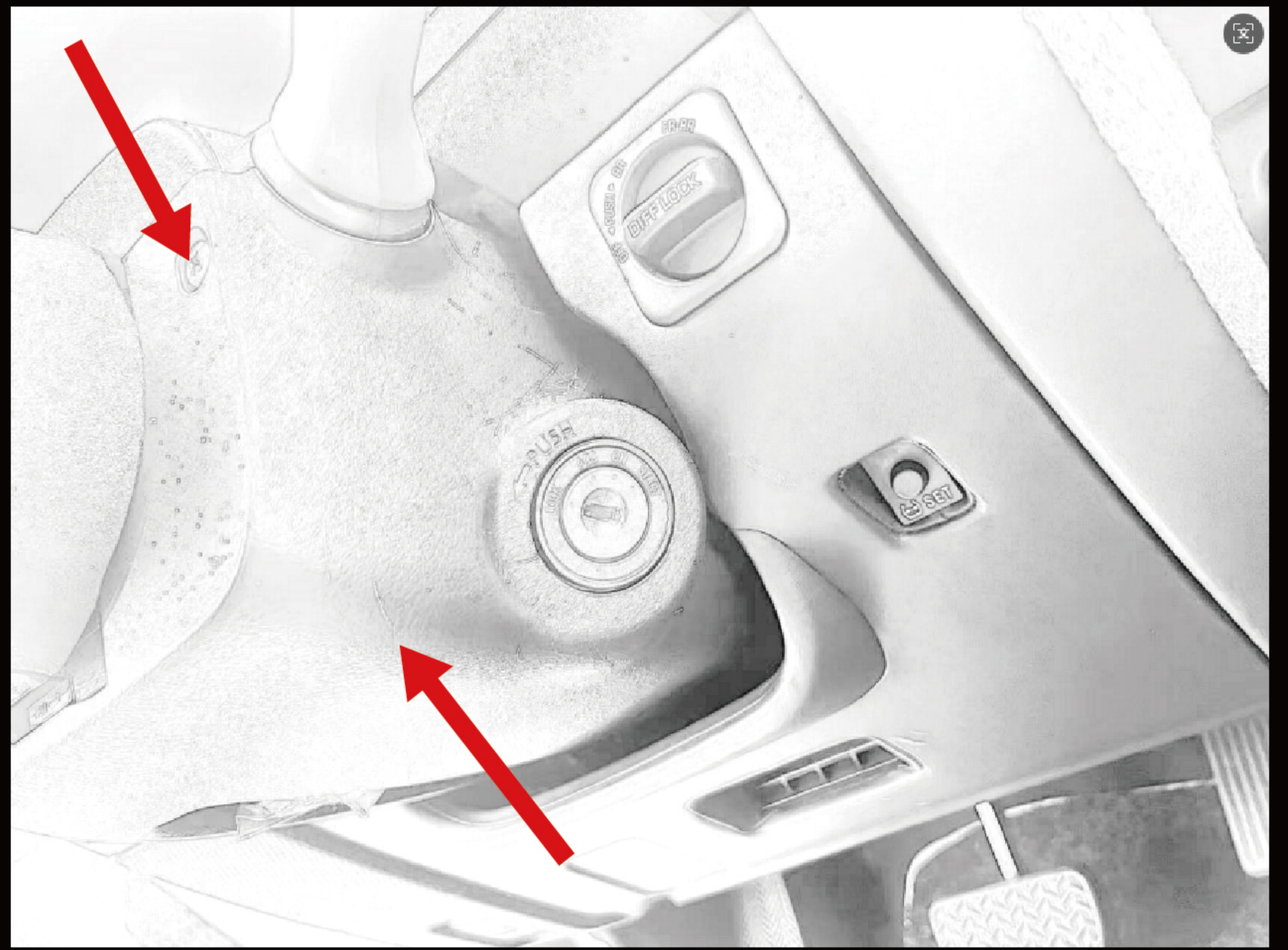
钥匙开齿（注意：必须在专配汽车钥匙店开齿）
KEY CUTTING (NOTE: THE CUTTING MUST BE DONE AT A CAR KEY SHOP)

02.



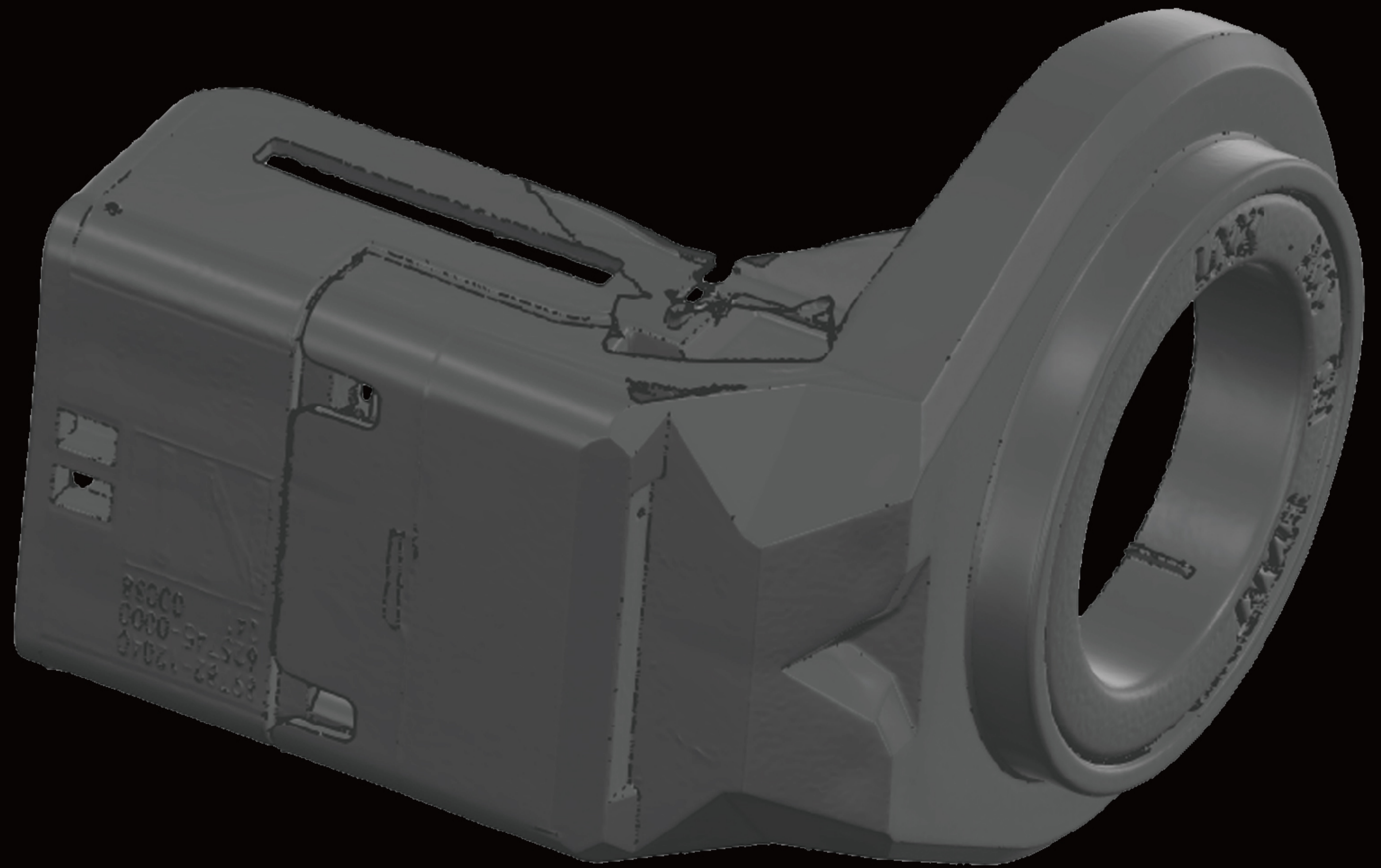
匹配专用钥匙芯片
MATCHING DEDICATED KEY CHIP

03.



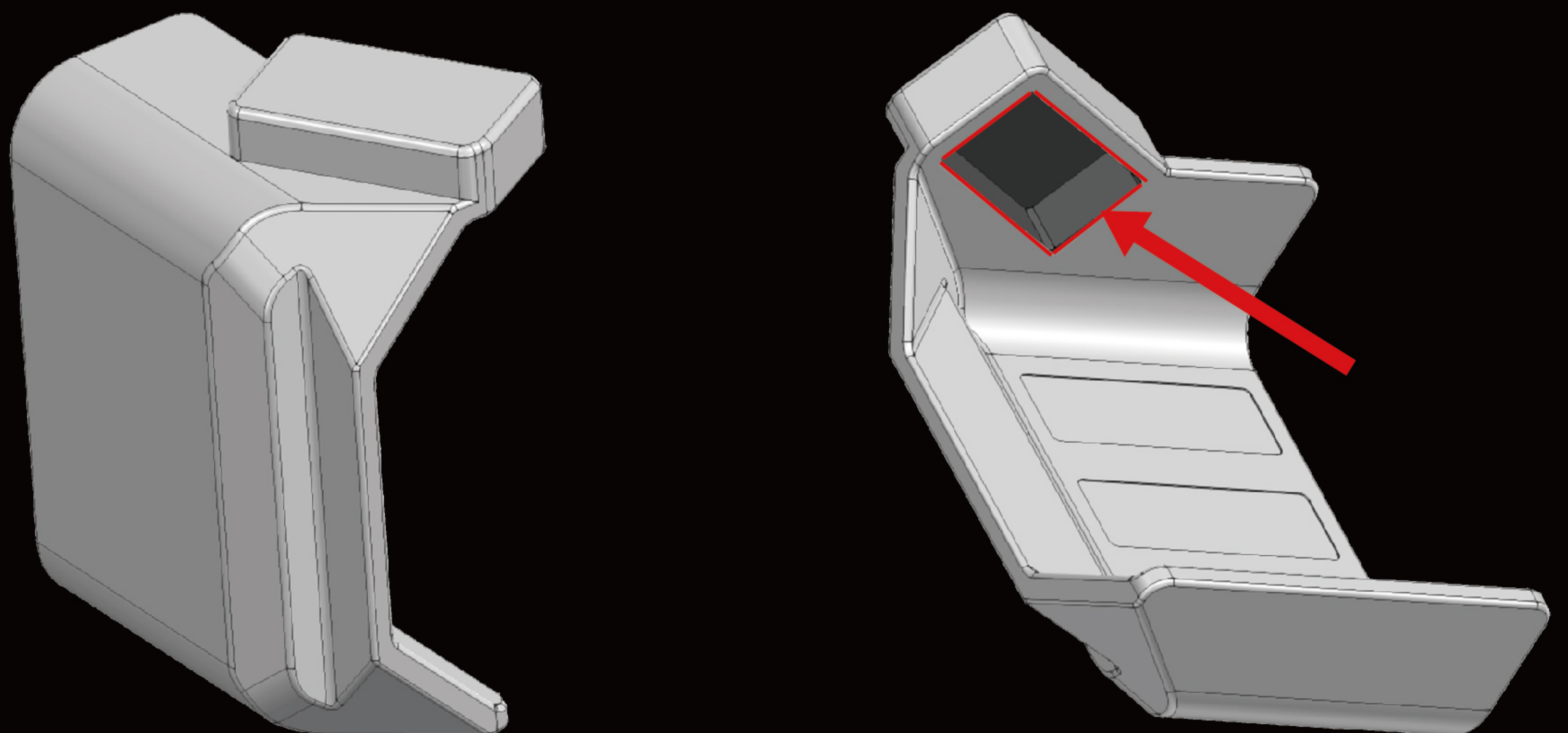
拆除原车方向盘管柱外壳
REMOVE THE ORIGINAL CAR STEERING COLUMN HOUSING

04.



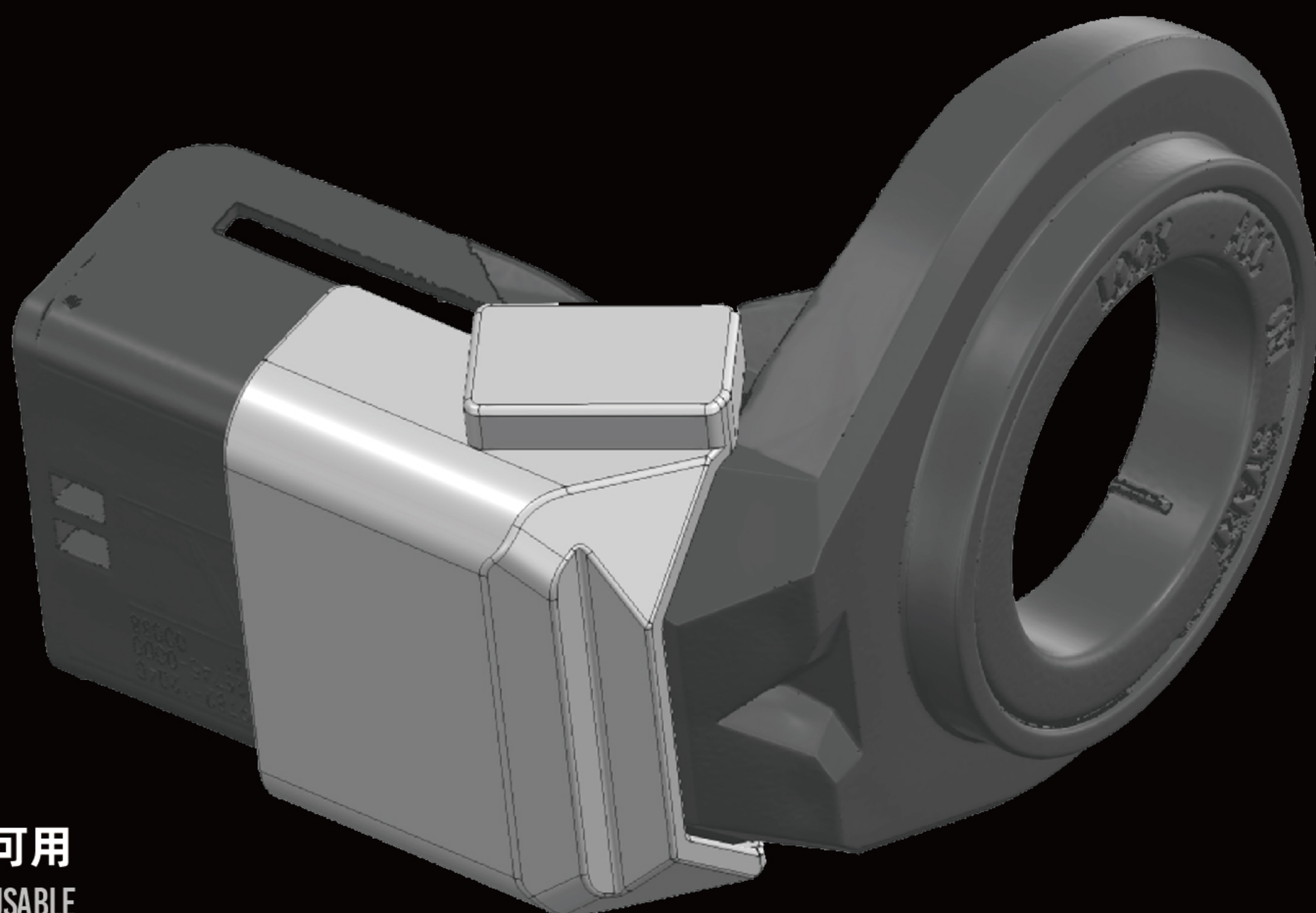
拆下原车钥匙感应线圈
REMOVE THE ORIGINAL CAR KEY INDUCTION COIL

05.



将钥匙芯片贴在专用壳内并一起贴在钥匙线圈壳上
STICK THE KEY CHIP IN THE SPECIAL SHELL AND STICK IT ON THE KEY COIL SHELL TOGETHER

06.



安装上贴好的钥匙线圈并测试钥匙是否可用
INSTALL THE ATTACHED KEY COIL AND TEST WHETHER THE KEY IS USABLE

07.

恢复原车方向管柱壳完成安装
RESTORE THE ORIGINAL STEERING COLUMN HOUSING TO COMPLETE THE INSTALLATION

■ 产品参数

PRODUCT PARAMETERS

NAME	产品名称	钥匙套件
MATERIAL	材 质	白铜
COLOUR	颜 色	钛灰
SPECIFICATIONS	产品规格	252*33*10MM

URNIETA®