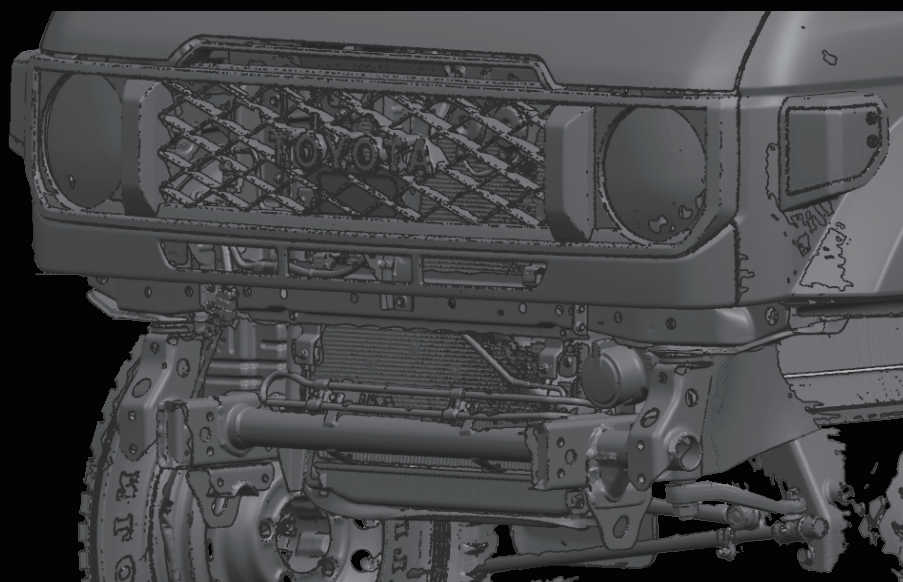


INSTALLATION INSTRUCTION
TOYOTA LC 7 Series Front Bumper Kit

丰田LC 71/76/78/79
TOYOTA LC 71/76/78/79

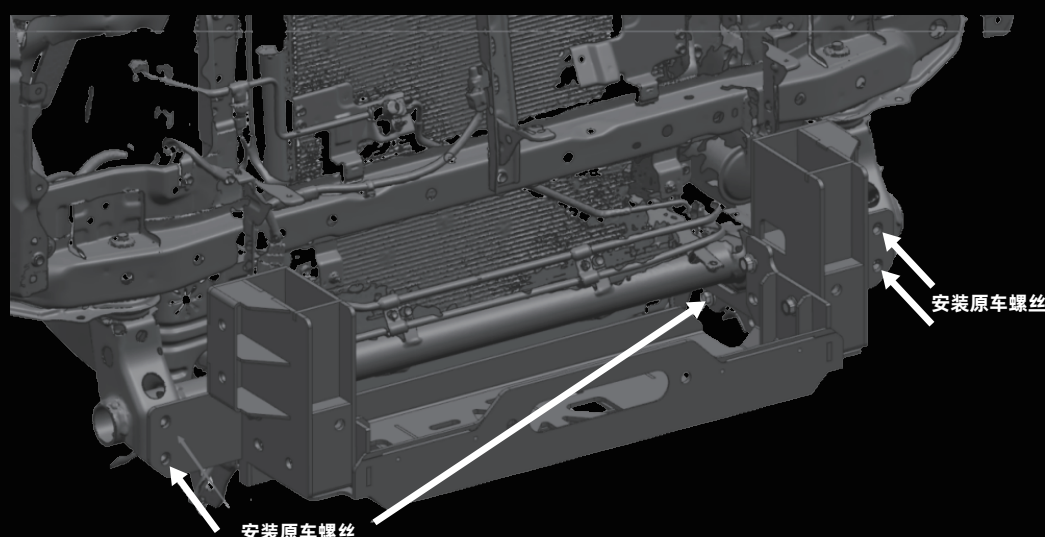


01.



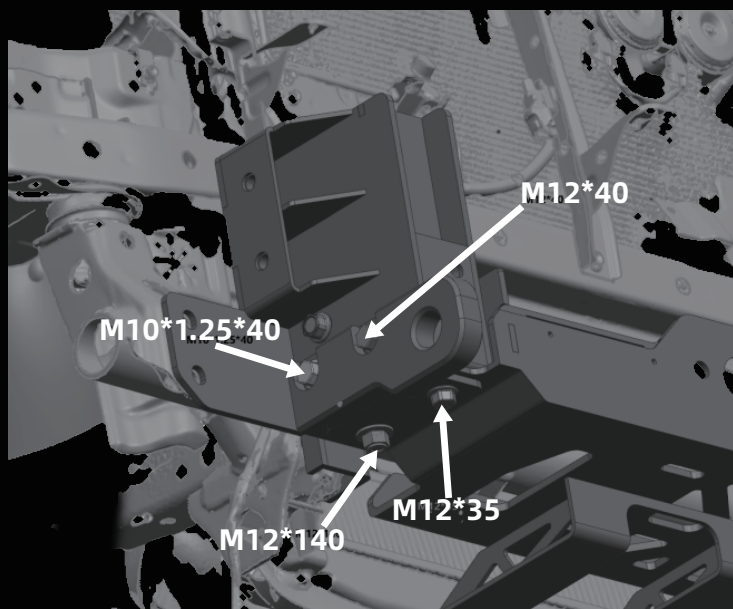
拆除原车前杠和护板
REMOVE THE ORIGINAL FRONT BUMPER AND GUARD PLATE

02.



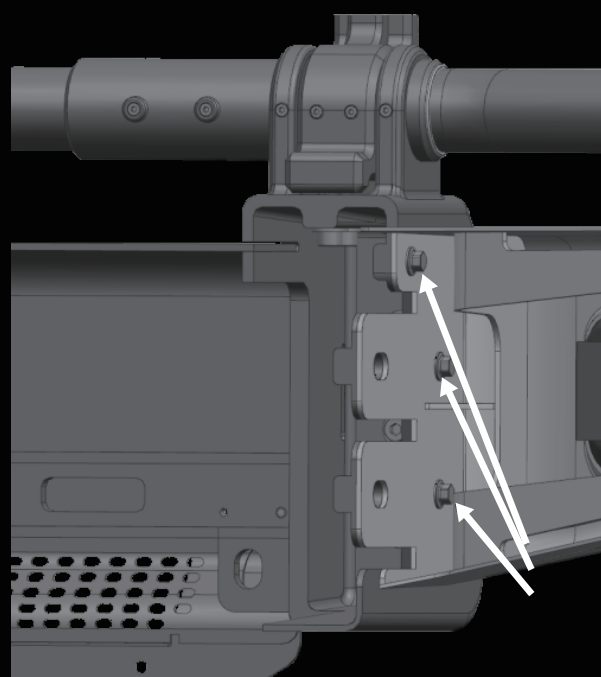
安装加长梁头支架（注意：两侧与内部安装原车螺丝，主体使用绞盘支架螺丝）
INSTALL THE EXTENDED BEAM HEAD BRACKET
(NOTE: INSTALL THE ORIGINAL CAR SCREWS ON BOTH SIDES AND INSIDE, AND USE THE WINCH BRACKET SCREWS ON THE MAIN BODY)

03.



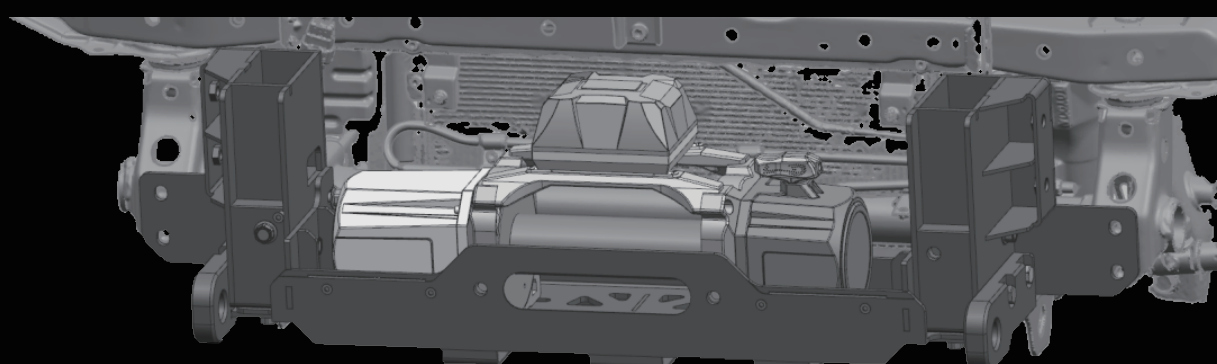
安装拖车钩
INSTALL THE TRAILER HOOK

04.



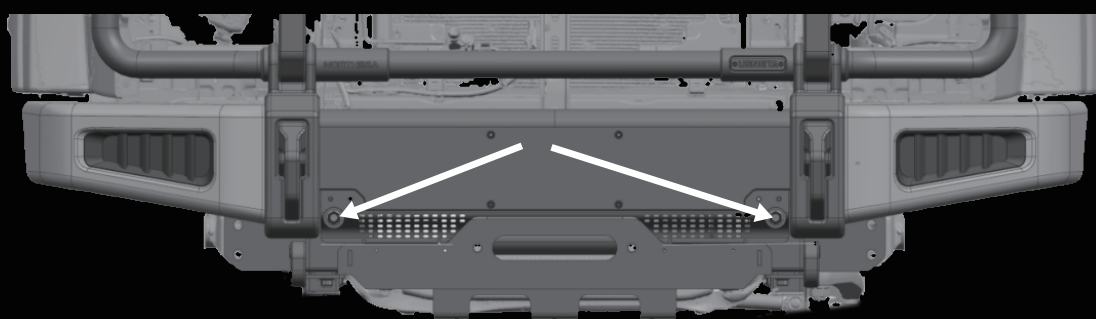
组装前杠（注意：使用M8*10外六角杯头螺丝组装前杠）
ASSEMBLE THE FRONT BUMPER
(NOTE: USE M8*10 HEXAGON CUP HEAD SCREWS TO ASSEMBLE THE FRONT BUMPER)

05.



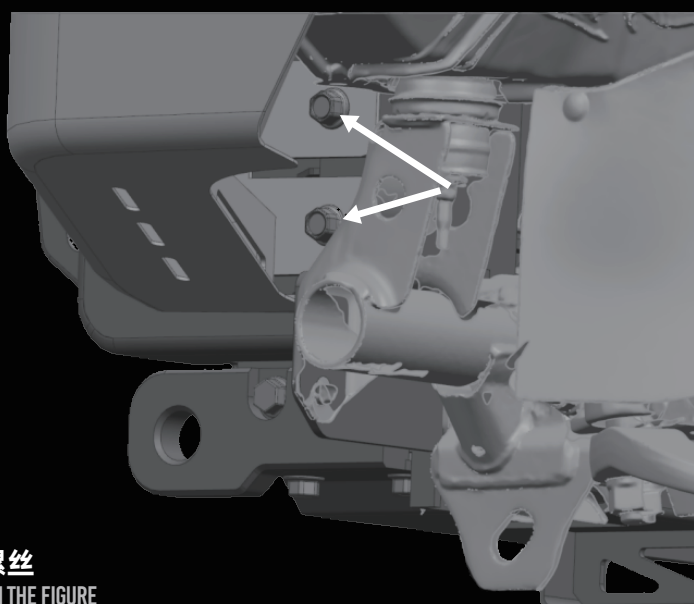
安装绞盘（注意：如若装绞盘必须在没有外杠的情况下安装）
INSTALL THE WINCH (NOTE: IF YOU INSTALL THE WINCH, YOU MUST INSTALL IT WITHOUT THE OUTER BAR)

06.

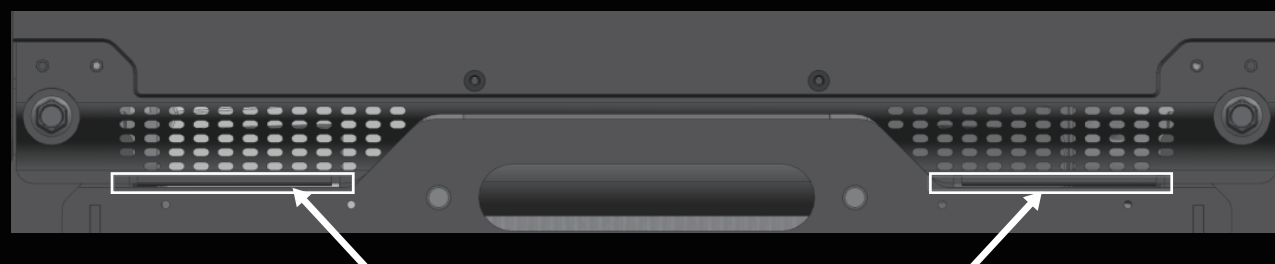


安装外杠主体 (注意: 如果在不装牛栏情况下, 需提前把牛栏拆下)
 INSTALL THE OUTER BAR BODY (NOTE: IF THE BULLPEN IS NOT INSTALLED, THE BULLPEN MUST BE REMOVED IN ADVANCE)

01. 如图所示需要先装前面2颗M12*30外六角法兰螺丝
 01. AS SHOWN IN THE FIGURE BELOW, YOU NEED TO INSTALL THE TWO M12*30 HEXAGON FLANGE SCREWS IN THE FRONT FIRST

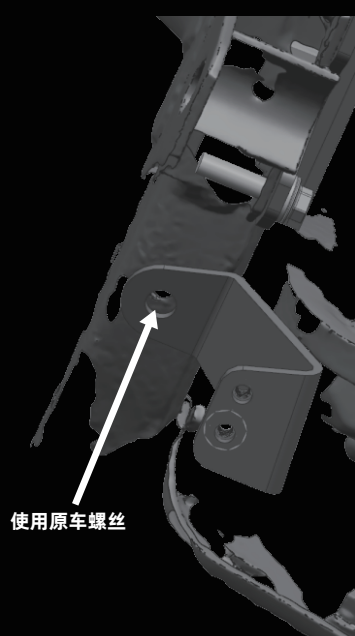


02. 如图所示安装两侧4颗M12*35外六角法兰螺丝
 02. INSTALL 4 M12*35 HEXAGON FLANGE SCREWS ON BOTH SIDES AS SHOWN IN THE FIGURE



03. 对齐杠蜂窝网卡位后锁紧杠主体6颗M12螺丝
 03. ALIGN THE CELLULAR NETWORK CARD POSITION WITH THE BAR AND TIGHTEN THE 6 M12 SCREWS ON THE BAR BODY

07.



安装护板支架
 INSTALL THE GUARD PLATE BRACKET

08.



安装下护板 (注意: 上面使用M4平头螺丝, 下面使用M8斜平头螺丝与M8螺母固定)
 INSTALL THE LOWER GUARD PLATE (NOTE: USE M4 FLAT HEAD SCREWS ON THE TOP AND M8 OBLIQUE FLAT HEAD SCREWS AND M8 NUTS ON THE BOTTOM)

产品参数		PRODUCT PARAMETERS	
NAME	产品名称	LC7系NS前杠套件	
MATERIAL	材质	铝镁合金/复合材料	
COLOUR	颜色	武士黑	
SPECIFICATIONS	产品规格	1662*538MM(新)	1524*561MM(老)

出厂配置		FACTORY CONFIGURATION	
名称	前杠总成	包围总成	
	下护板	绞盘支架	
		牌照框	