

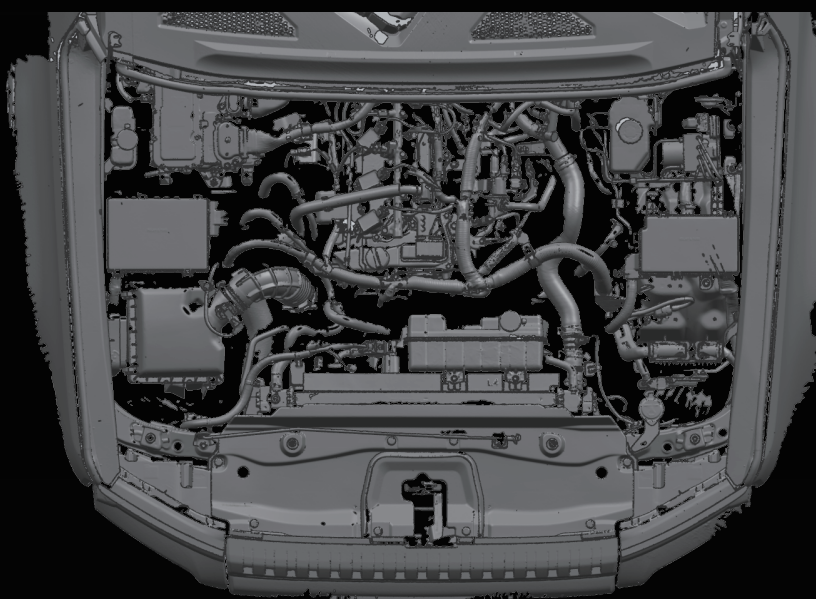
INSTALLATION INSTRUCTION

TOYOTA LC 250NS Full Carbon Engine Hood

丰田LC 250  
TOYOTA LC 250

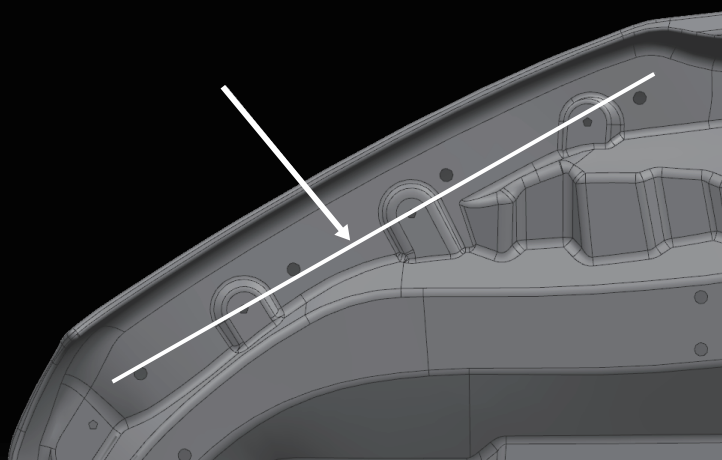


01.



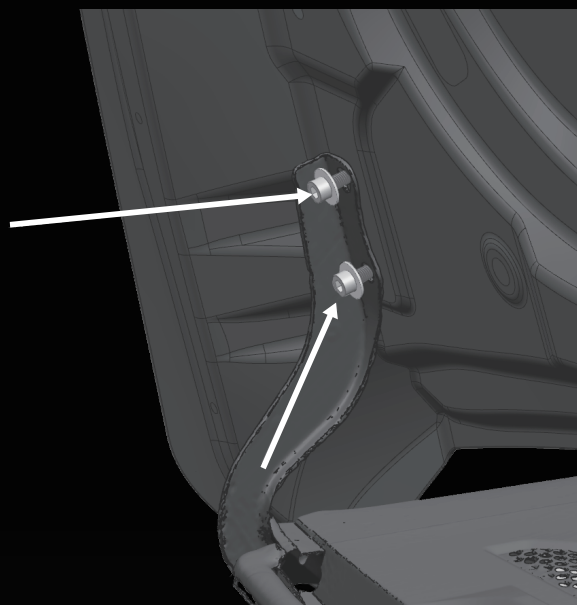
拆除原车机盖  
REMOVE THE ORIGINAL CAR HOOD

02.



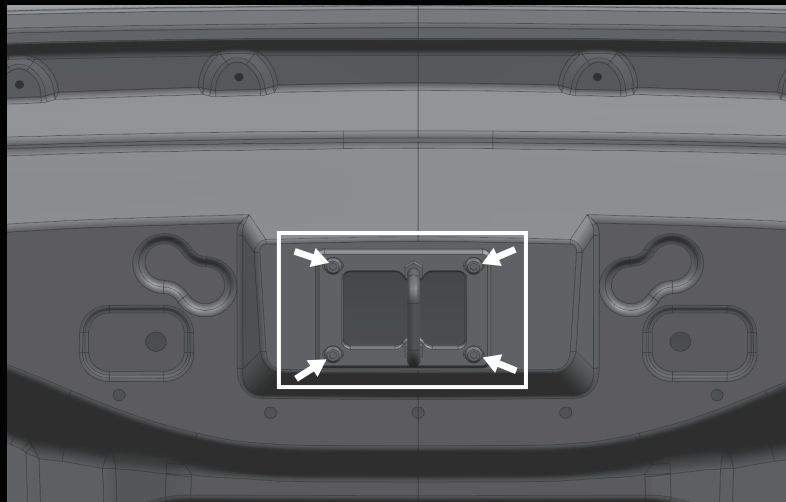
拆除原车胶条，并将胶条装在新机盖上  
REMOVE THE ORIGINAL CAR RUBBER STRIP AND INSTALL IT ON THE NEW HOOD

03.



使用改装机盖内可调整螺丝安装新机盖  
INSTALL THE NEW HOOD USING THE ADJUSTABLE SCREWS IN THE MODIFIED HOOD

# 04.



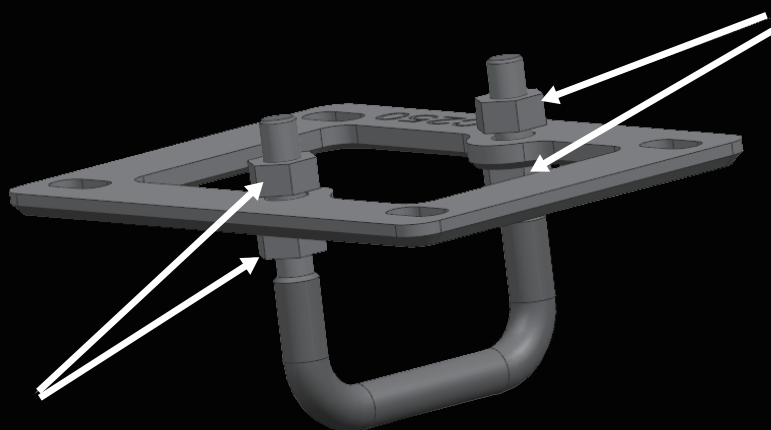
拆除新机盖锁舌以便于调整机盖缝隙  
REMOVE THE NEW HOOD LOCK TO ADJUST THE HOOD GAP

# 05.



利用调整螺丝调整机盖左右缝隙  
USE THE ADJUSTMENT SCREWS TO ADJUST THE LEFT AND RIGHT GAPS OF THE COVER

# 06.



调整机盖锁舌（注意：利用图示所示螺丝调整锁舌长度，已达到合适位置并安装好锁舌主体支架）  
ADJUST THE HOOD LOCK TONGUE  
(NOTE: USE THE SCREWS SHOWN IN THE FIGURE TO ADJUST THE LOCK TONGUE LENGTH TO THE APPROPRIATE POSITION AND INSTALL THE LOCK TONGUE BODY BRACKET)

## ■ 产品参数

## PRODUCT PARAMETERS

NAME	产品名称	LC250全碳机盖
MATERIAL	材 质	干碳纤维/高强度尼龙
COLOUR	颜 色	武士黑
SPECIFICATIONS	产品规格	1722MM*1299MM

## ■ 出厂配置

## FACTORY CONFIGURATION

名称	进风口饰板	干碳机盖总成
		出风口饰板