

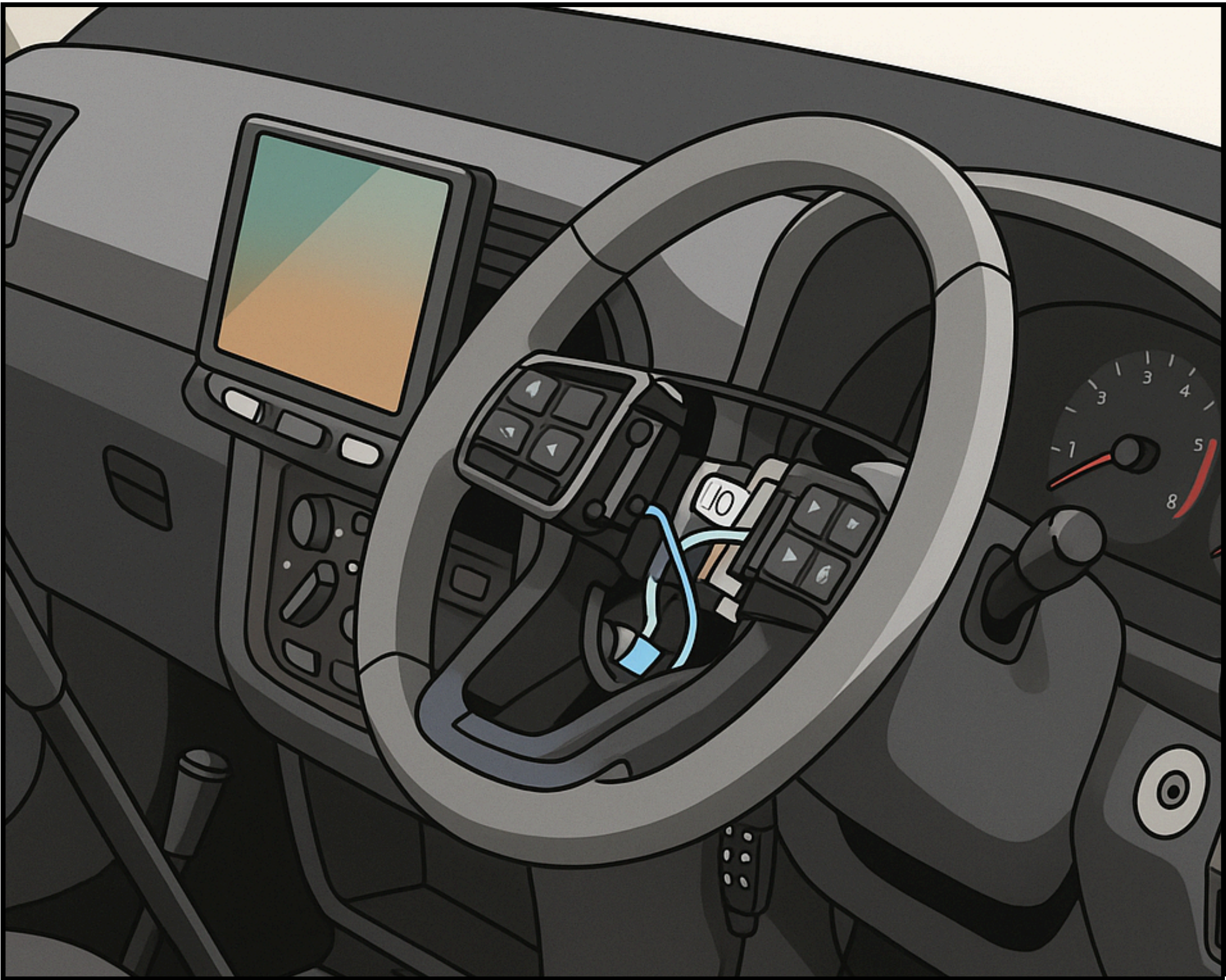
STEP 1

- Disconnect battery**
- Remove factory steering wheel**
- Keep factory hardware aside**



STEP 2

- Install boss kit onto the column**
- Double-check alignment**



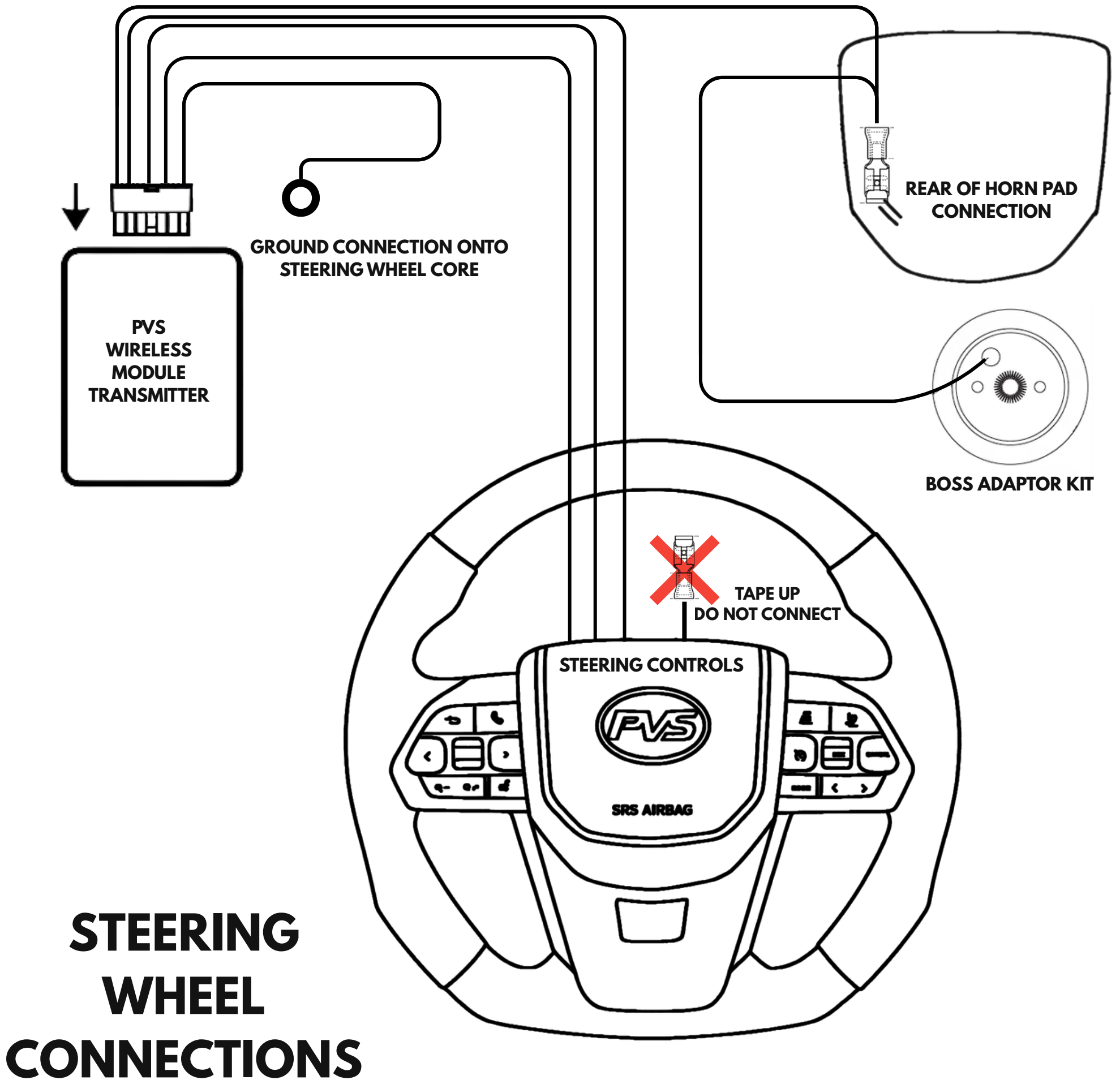
STEP 3

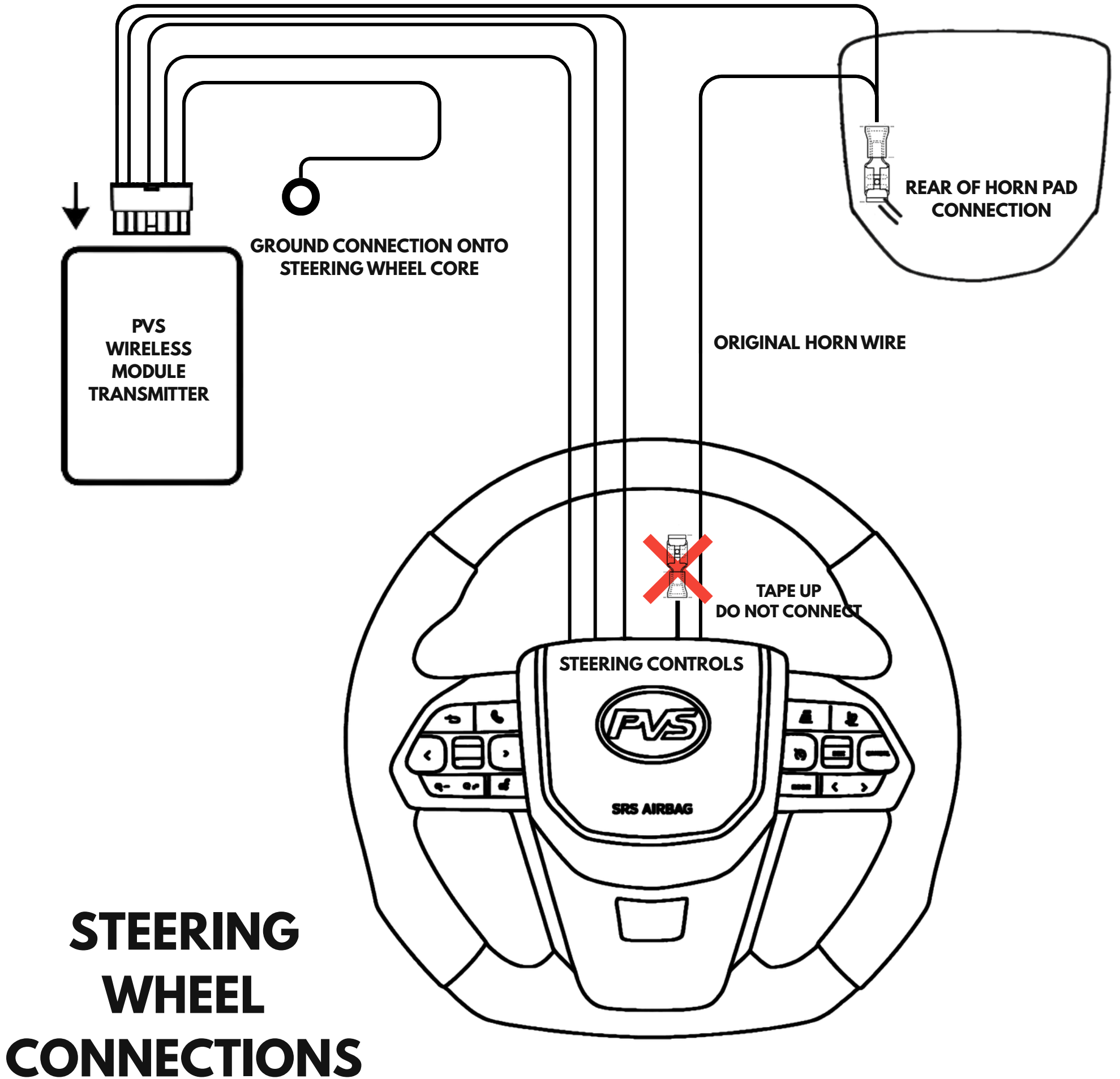
- Slide wheel onto boss kit
- Screw wheel into boss kit
- Torque centre nut

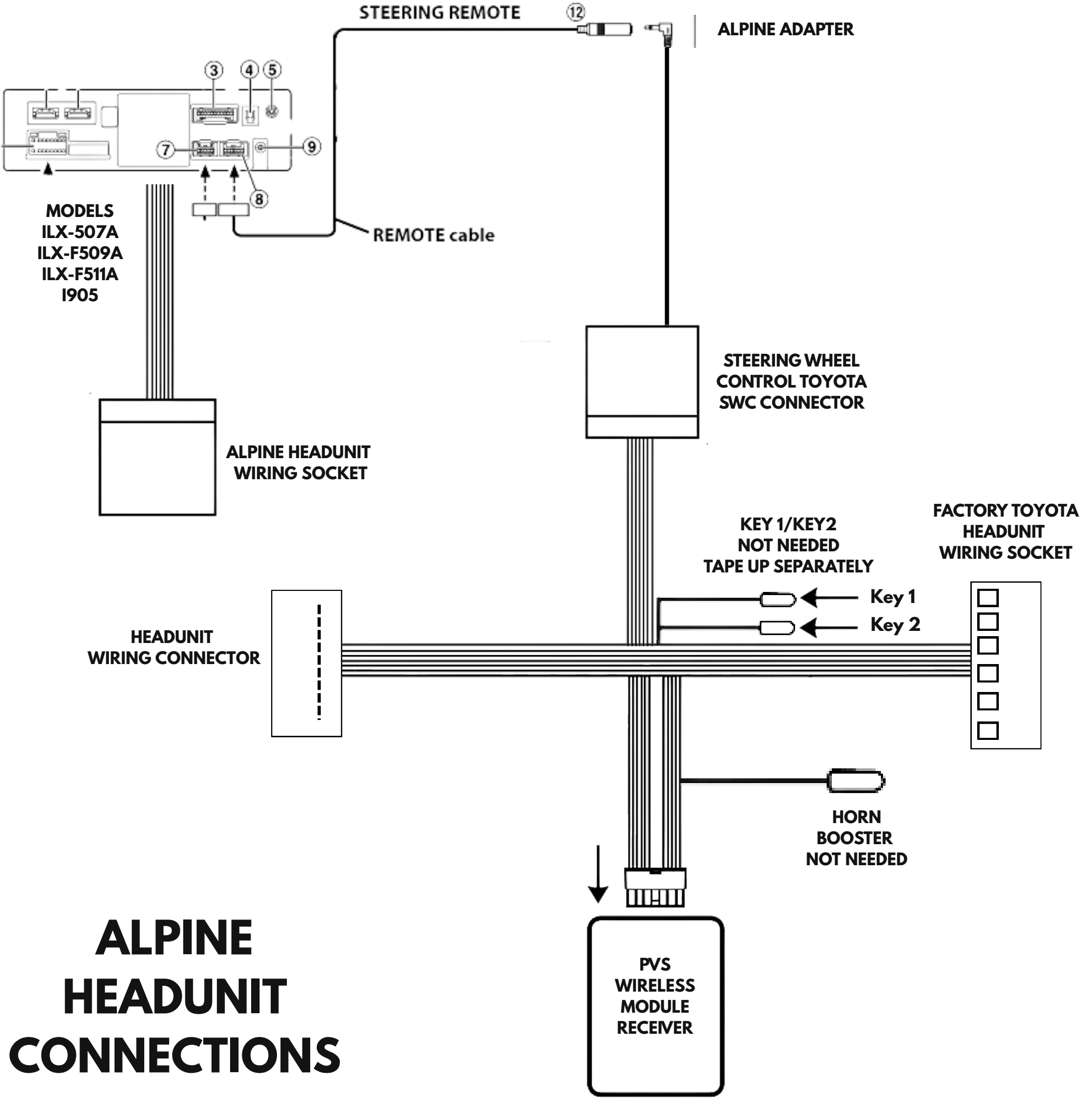


STEP 4

- Follow below wiring diagram
- Connect headunit wiring
- Install horn pad







ALPINE HEADUNIT CONNECTIONS