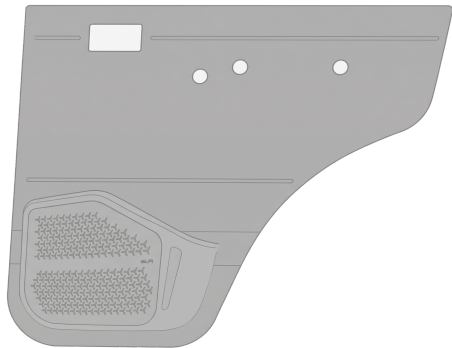
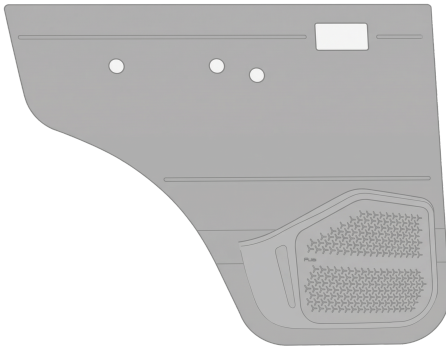


REAR DOOR POD INSTALLATION GUIDE

TOYOTA 76 / 79 SERIES LANDCRUISER



REAR DOOR POD INSTALLATION GUIDE

Version: 2.0

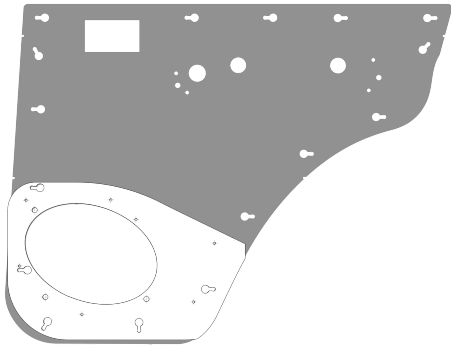
Date: January 2026

Developed by: PVS Automotive

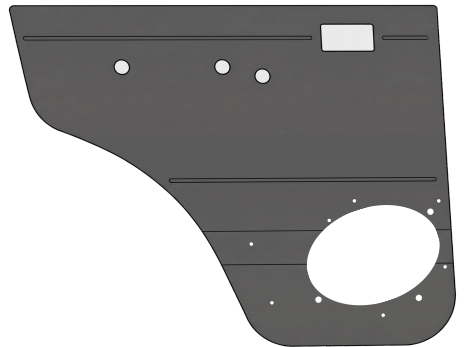
Before You Begin:

This guide outlines the correct drilling and installation procedure for PVS Automotive rear door pods.

Please read this page fully before drilling. Incorrect holes cannot be reversed.



1



2

REMOVE ASH TRAY & PREPARE DOOR CARD

Remove the original rear door ash tray (if fitted).

Position the supplied drilling template on the back of the door card.

Align the template using the factory clip locations and use the clips to temporarily secure it in place.

Before drilling, confirm the speaker opening and pod position are correctly centred on the door card.

Two drill bit sizes are required:

- 4mm mounting screw holes
- 10mm locating holes

CUT SPEAKER OPENING

Cut the 6x9" speaker opening using a jigsaw.

6.5" speakers can also be installed using the supplied adaptor.

Ensure all edges are clean and free from debris before mounting the pod.

SUPPORT AND FEEDBACK

Email
support@pvsautomotive.com.au

For more details, visit
www.pvsautomotive.com.au

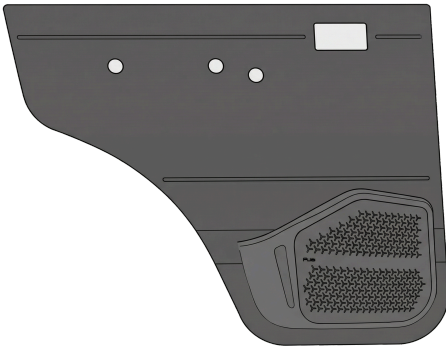
REAR DOOR POD INSTALLATION GUIDE

Version: 2.0

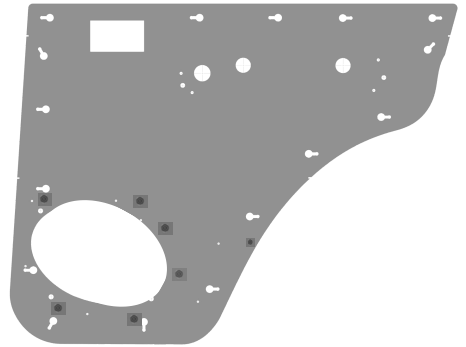
Date: January 2026

Developed by: PVS Automotive

Continuation – Final Assembly



3



4

INSTALL SPEAKER DOOR POD

After the speaker opening has been cut, mount the rear speaker door pod directly to the door card using the supplied screws.

There is no pocket section on rear door pods.

The pod fastens straight to the door card through the drilled mounting holes.

Ensure the pod sits flush before tightening all fasteners.

FINAL CHECKLIST

- Speaker pod seated correctly
- Screws tightened correctly
- Door clips reinstalled
- Wiring guide followed

FINAL CHECKS & WIRING

Confirm all screws are secure and not over-tightened.

Refit all door card clips.

Refer to the wiring installation guide online for speaker and accessory wiring instructions before final reassembly.

SUPPORT AND FEEDBACK

Email
support@pvsautomotive.com.au

For more details, visit
www.pvsautomotive.com.au

REAR DOOR POD INSTALLATION GUIDE

Version: 2.0

Date: January 2026

Developed by: PVS Automotive

Continuation – Final Assembly

INSTALL SPEAKER DOOR POD

After the speaker opening has been cut, mount the rear speaker door pod directly to the door card using the supplied screws.

There is no pocket section on rear door pods.

The pod fastens straight to the door card through the drilled mounting holes.

Ensure the pod sits flush before tightening all fasteners.

FINAL CHECKLIST

- Speaker pod seated correctly
- Screws tightened correctly
- Door clips reinstalled
- Wiring guide followed

FINAL CHECKS & WIRING

Confirm all screws are secure and not over-tightened.

Refit all door card clips.

Refer to the wiring installation guide online for speaker and accessory wiring instructions before final reassembly.

SUPPORT AND FEEDBACK

Email
support@pvsautomotive.com.au

For more details, visit
www.pvsautomotive.com.au

SUPPORT & TECHNICAL ASSISTANCE

If you have questions during installation, please contact our support team.

Email: support@pvsautomotive.com.au

Web: www.pvsautomotive.com.au



Professional installation is recommended if you are unsure.

PVS Automotive is not responsible for incorrect installation or damage caused during fitment.